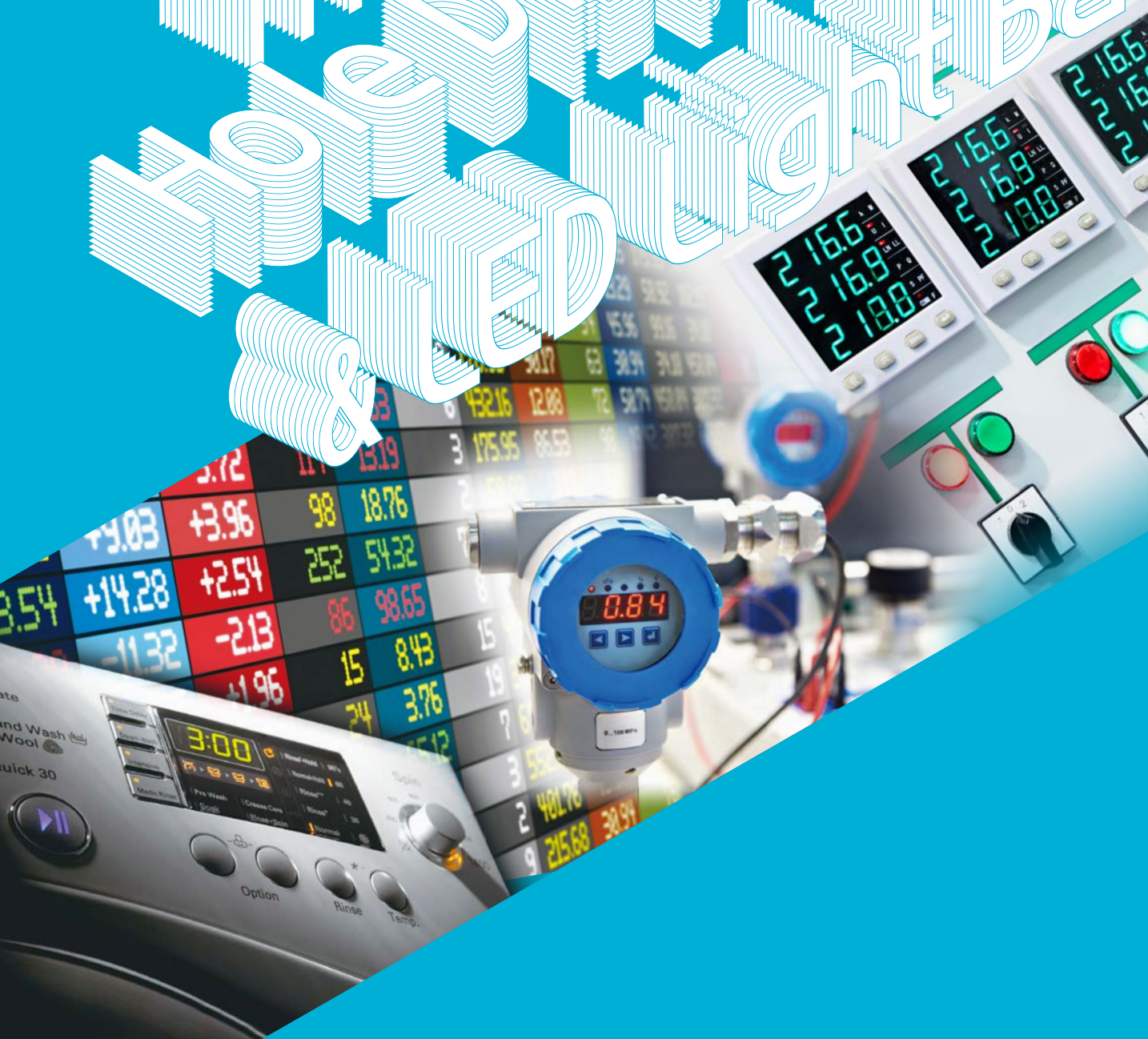


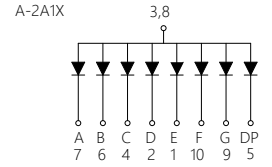
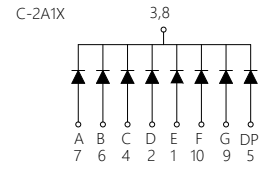
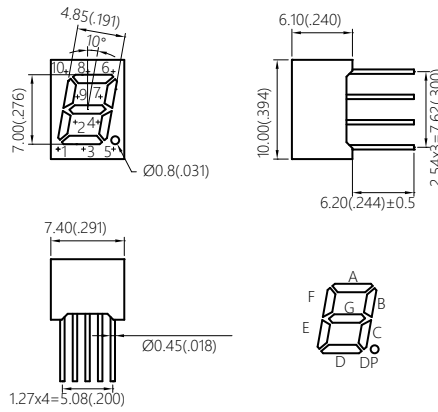
Through Hole Splat Bar & Weight



0.28 inch

Single Digit

2A1 Series



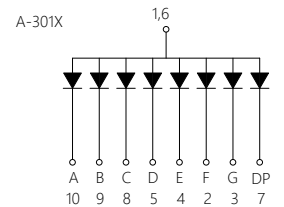
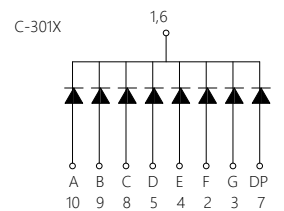
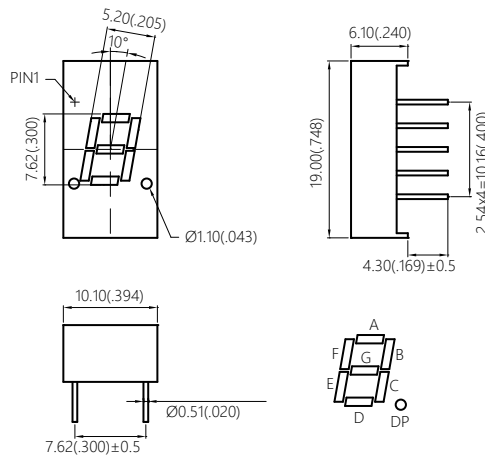
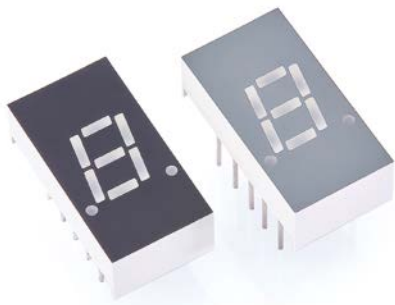
Unit : mm

Common Cathode		Common Anode		Emitting Color	Wavelength λ_d (nm)/CIE (x.y)	Typ. Luminous Intensity I_v (mcd)/Seg.	Forward Current I_f (mA)
Part No	Ref. PN	Part No	Ref. PN				
C-2A1G	DKC12G998G	A-2A1G	DKA12G994G	Yellow Green	570	1.3	10
C-2A1Y	DKC12Y997G	A-2A1Y	DKA12Y993G	Yellow	587	1.1	10
C-2A1E	DKC12E999G	A-2A1E	DKA12E995G	Super Red	628	1.2	10
C-2A1SR	DKC12SR996G	A-2A1SR	DKA12SR992G	Hyper Red	640	4	10

0.3 inch

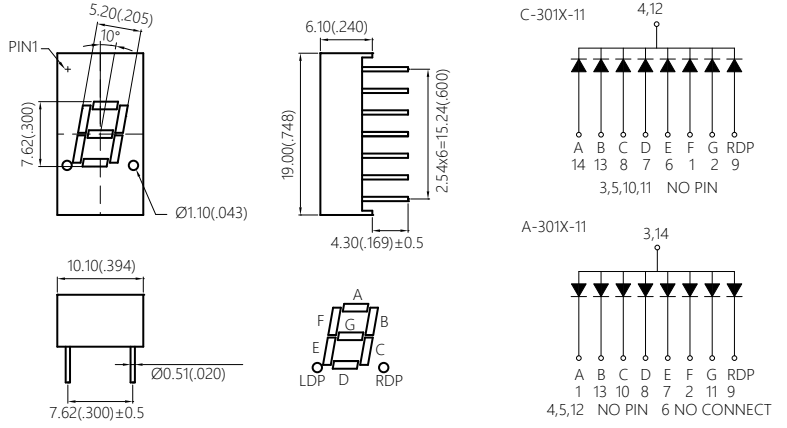
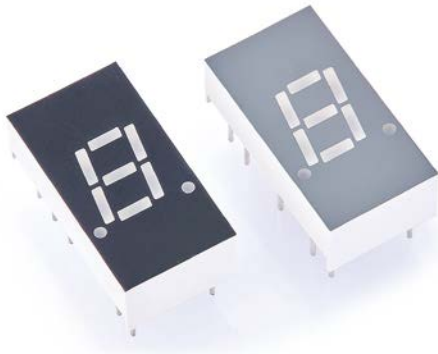
Single Digit

301 Series



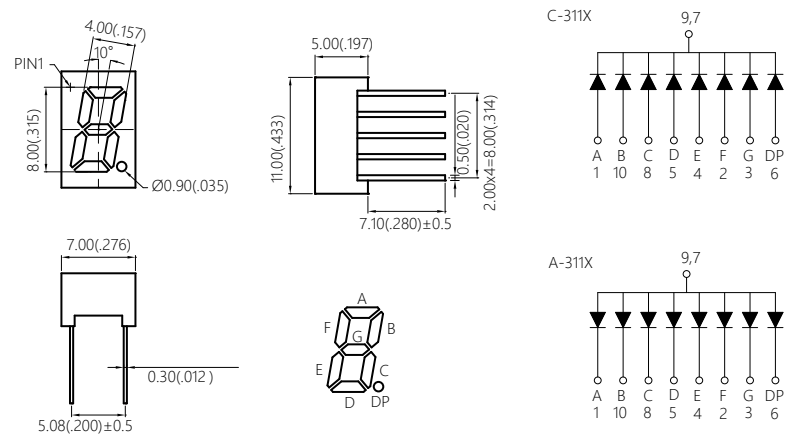
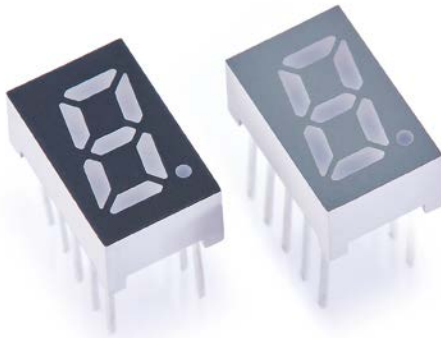
Unit : mm

Common Cathode		Common Anode		Emitting Color	Wavelength λ_d (nm)/CIE (x.y)	Typ. Luminous Intensity I_v (mcd)/Seg.	Forward Current I_f (mA)
Part No	Ref. PN	Part No	Ref. PN				
C-301G	DKC13G990G	A-301G	DKA13G986G	Yellow Green	570	1.4	10
C-301Y	DKC13Y989G	A-301Y	DKA13Y985G	Yellow	587	1.2	10
C-301E	DKC13E991G	A-301E	DKA13E987G	Super Red	628	1.3	10
C-301SR	DKC13SR988G	A-301SR	DKA13SR984G	Hyper Red	640	4.2	10



Unit : mm

Common Cathode		Common Anode		Emitting Color	Wavelength λ_d (nm)/CIE (x.y)	Typ. Luminous Intensity I_v (mcd)/Seg.	Forward Current I_F (mA)
Part No	Ref. PN	Part No	Ref. PN				
C-301G-11	DKC13G982G	A-301G-11	DKA13G978G	Yellow Green	570	1.4	10
C-301Y-11	DKC13Y981G	A-301Y-11	DKA13Y977G	Yellow	587	1.2	10
C-301E-11	DKC13E983G	A-301E-11	DKA13E979G	Super Red	628	1.3	10
C-301SR-11	DKC13SR980G	A-301SR-11	DKA13SR976G	Hyper Red	640	4.2	10



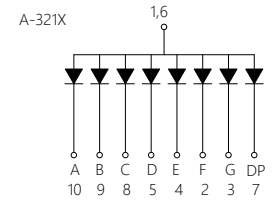
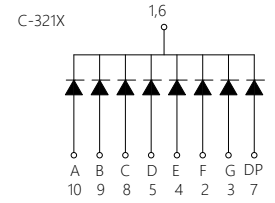
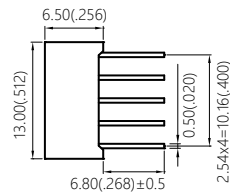
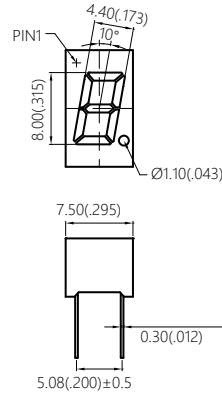
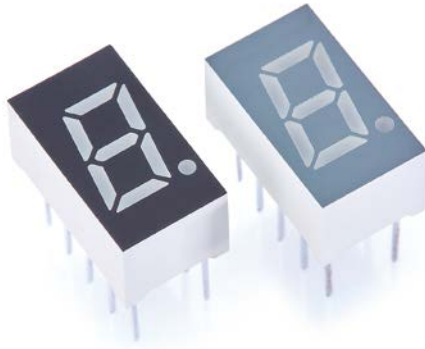
Unit : mm

Common Cathode		Common Anode		Emitting Color	Wavelength λ_d (nm)/CIE (x.y)	Typ. Luminous Intensity I_v (mcd)/Seg.	Forward Current I_F (mA)
Part No	Ref. PN	Part No	Ref. PN				
C-311G	DKC13G974G	A-311G	DKA13G970G	Yellow Green	570	2	10
C-311Y	DKC13Y973G	A-311Y	DKA13Y969G	Yellow	587	2.1	10
C-311E	DKC13E975G	A-311E	DKA13E971G	Super Red	628	2.1	10
C-311SR	DKC13SR972G	A-311SR	DKA13SR968G	Hyper Red	640	1.9	10

0.32 inch

Single Digit

321 Series



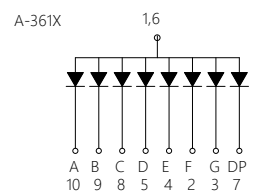
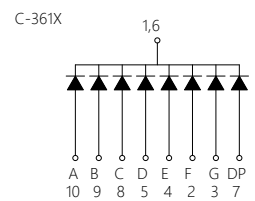
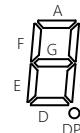
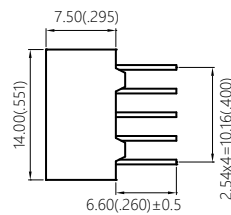
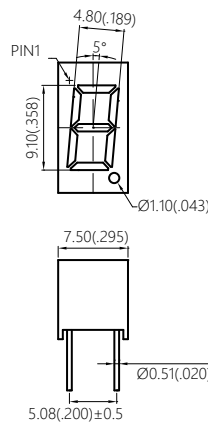
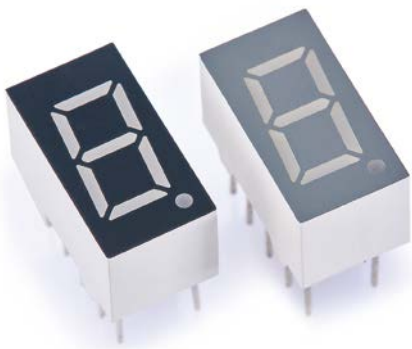
Unit : mm

Common Cathode		Common Anode		Emitting Color	Wavelength λ_d (nm)/CIE (x,y)	Typ. Luminous Intensity I_v (mcd)/Seg.	Forward Current I_F (mA)
Part No	Ref. PN	Part No	Ref. PN				
C-321UB	DKC13UB963G	A-321UB	DKA13UB958G	Blue	465	8	10
C-321G	DKC13G966G	A-321G	DKA13G961G	Yellow Green	570	1.5	10
C-321Y	DKC13Y965G	A-321Y	DKA13Y960G	Yellow	587	1.3	10
C-321E	DKC13E967G	A-321E	DKA13E962G	Super Red	628	1.4	10
C-321SR	DKC13SR964G	A-321SR	DKA13SR959G	Hyper Red	640	4.4	10

0.36 inch

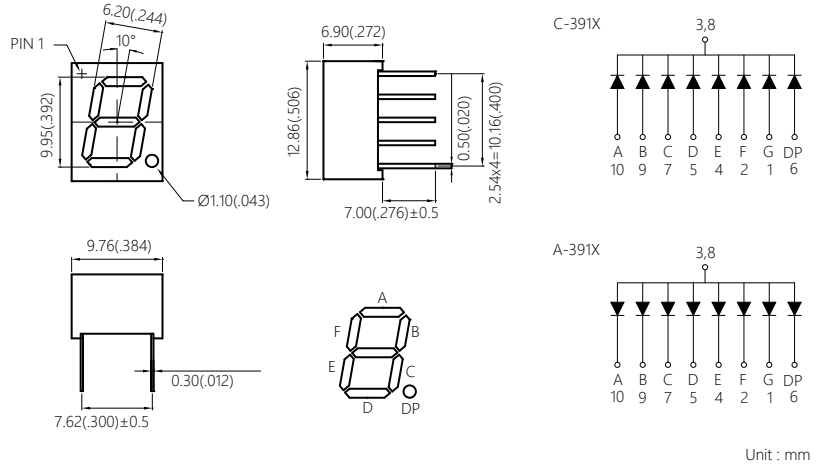
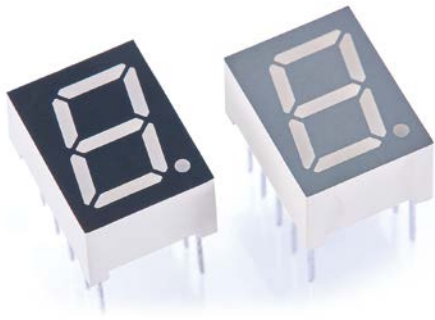
Single Digit

361 Series



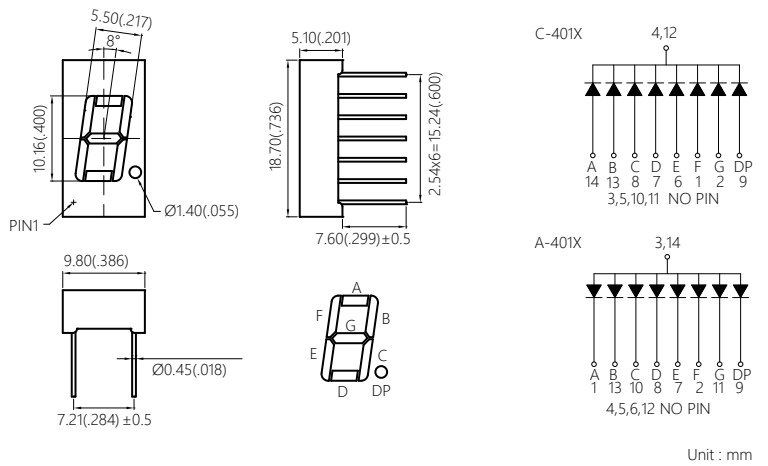
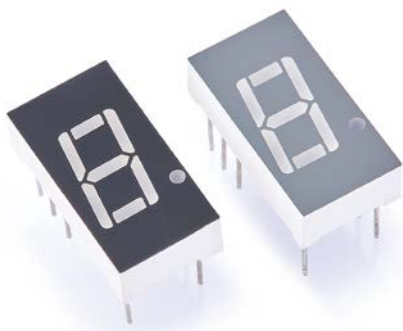
Unit : mm

Common Cathode		Common Anode		Emitting Color	Wavelength λ_d (nm)/CIE (x,y)	Typ. Luminous Intensity I_v (mcd)/Seg.	Forward Current I_F (mA)
Part No	Ref. PN	Part No	Ref. PN				
C-361G	DKC13G956G	A-361G	DKA13G952G	Yellow Green	570	1.6	10
C-361Y	DKC13Y955G	A-361Y	DKA13Y951G	Yellow	587	1.4	10
C-361E	DKC13E957G	A-361E	DKA13E953G	Super Red	628	1.5	10
C-361SR	DKC13SR954G	A-361SR	DKA13SR950G	Hyper Red	640	4.6	10



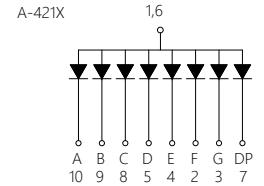
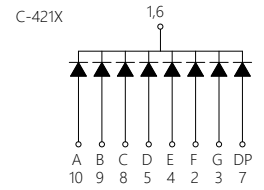
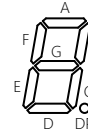
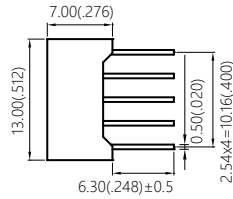
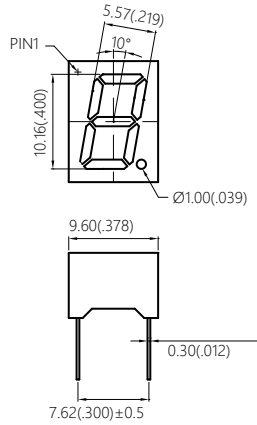
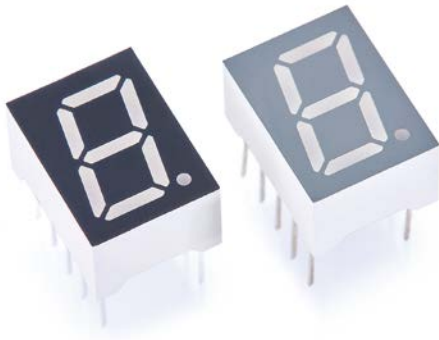
Unit : mm

Common Cathode		Common Anode		Emitting Color	Wavelength λ_d (nm)/CIE (x.y)	Typ. Luminous Intensity I_v (mcd)/Seg.	Forward Current I_F (mA)
Part No	Ref. PN	Part No	Ref. PN				
C-391UB	DKC13UB945G	A-391UB	DKA13UB940G	Blue	465	10	10
C-391G	DKC13G948G	A-391G	DKA13G943G	Yellow Green	570	1.7	10
C-391Y	DKC13Y947G	A-391Y	DKA13Y942G	Yellow	587	1.5	10
C-391E	DKC13E949G	A-391E	DKA13E944G	Super Red	628	1.6	10
C-391SR	DKC13SR946G	A-391SR	DKA13SR941G	Hyper Red	640	5	10



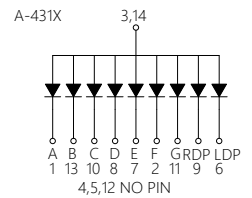
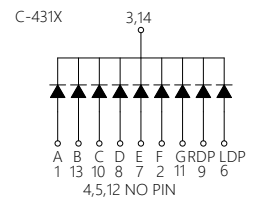
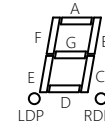
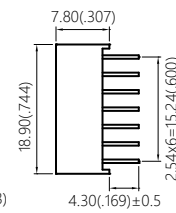
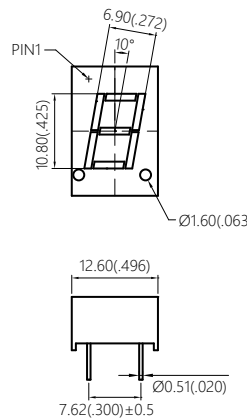
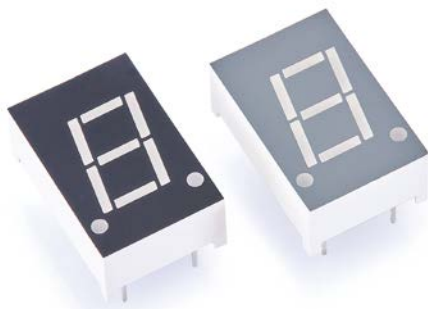
Unit : mm

Common Cathode		Common Anode		Emitting Color	Wavelength λ_d (nm)/CIE (x.y)	Typ. Luminous Intensity I_v (mcd)/Seg.	Forward Current I_F (mA)
Part No	Ref. PN	Part No	Ref. PN				
C-401UB	DKC14UB935G	A-401UB	DKA14UB930G	Blue	465	10	10
C-401G	DKC14G938G	A-401G	DKA14G933G	Yellow Green	570	1.7	10
C-401Y	DKC14Y937G	A-401Y	DKA14Y932G	Yellow	587	1.5	10
C-401E	DKC14E939G	A-401E	DKA14E934G	Super Red	628	1.6	10
C-401SR	DKC14SR936G	A-401SR	DKA14SR931G	Hyper Red	640	5	10



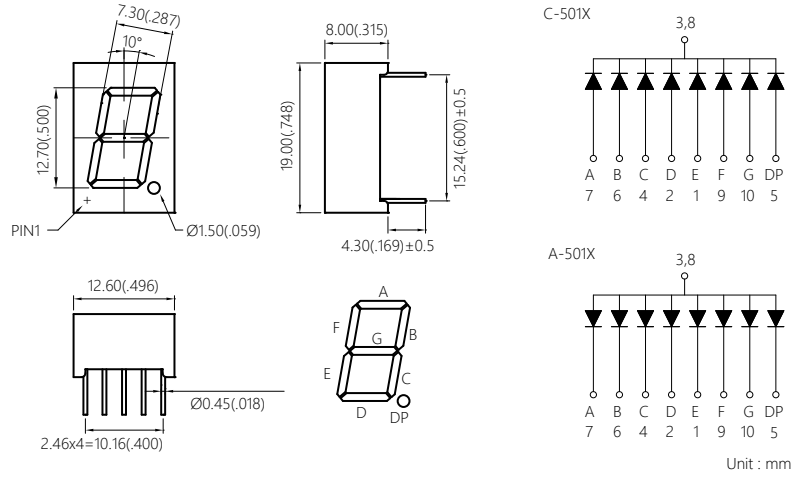
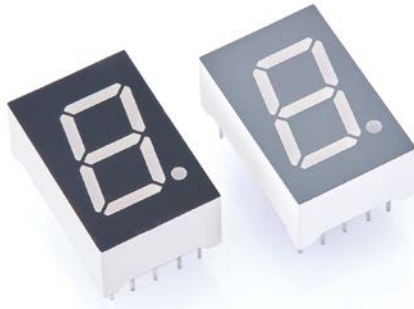
Unit : mm

Common Cathode		Common Anode		Emitting Color	Wavelength λ_d (nm)/CIE (x.y)	Typ. Luminous Intensity I_v (mcd)/Seg.	Forward Current I_F (mA)
Part No	Ref. PN	Part No	Ref. PN				
C-421UB	DKC14UB925G	A-421UB	DKA14UB920G	Blue	465	12	10
C-421G	DKC14G928G	A-421G	DKA14G923G	Yellow Green	570	1.7	10
C-421Y	DKC14Y927G	A-421Y	DKA14Y922G	Yellow	587	1.5	10
C-421E	DKC14E929G	A-421E	DKA14E924G	Super Red	628	1.6	10
C-421SR	DKC14SR926G	A-421SR	DKA14SR921G	Hyper Red	640	5.5	10

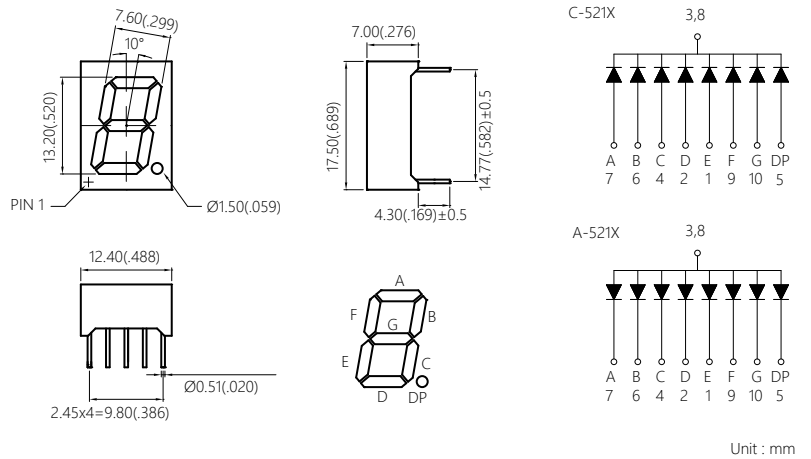
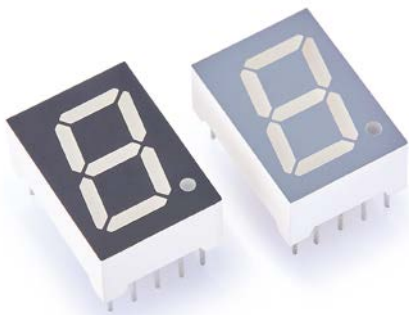


Unit : mm

Common Cathode		Common Anode		Emitting Color	Wavelength λ_d (nm)/CIE (x.y)	Typ. Luminous Intensity I_v (mcd)/Seg.	Forward Current I_F (mA)
Part No	Ref. PN	Part No	Ref. PN				
C-431G	DKC14G918G	A-431G	DKA14G914G	Yellow Green	570	1.8	10
C-431Y	DKC14Y917G	A-431Y	DKA14Y913G	Yellow	587	1.6	10
C-431E	DKC14E919G	A-431E	DKA14E915G	Super Red	628	1.7	10
C-431SR	DKC14SR916G	A-431SR	DKA14SR912G	Hyper Red	640	6	10



Common Cathode		Common Anode		Emitting Color	Wavelength λ_d (nm)/CIE (x.y)	Typ. Luminous Intensity I_v (mcd)/Seg.	Forward Current I_F (mA)
Part No	Ref. PN	Part No	Ref. PN				
C-501UB	DKC15UB907G	A-501UB	DKA15UB902G	Blue	465	14	10
C-501G	DKC15G910G	A-501G	DKA15G905G	Yellow Green	570	1.9	10
C-501Y	DKC15Y909G	A-501Y	DKA15Y904G	Yellow	587	1.7	10
C-501E	DKC15E911G	A-501E	DKA15E906G	Super Red	628	1.8	10
C-501SR	DKC15SR908G	A-501SR	DKA15SR903G	Hyper Red	640	8	10

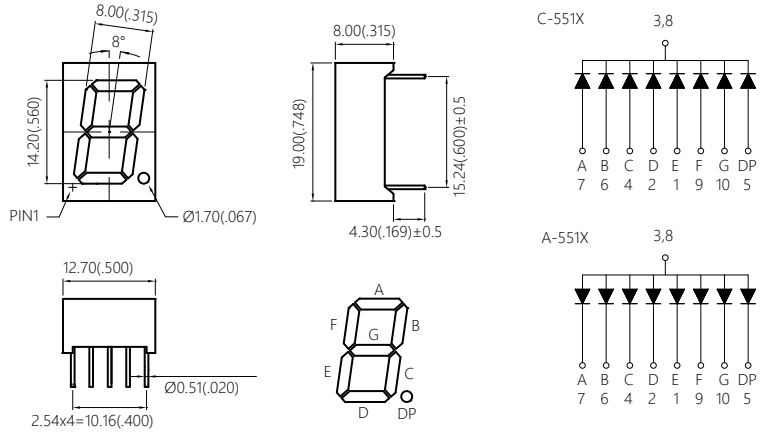
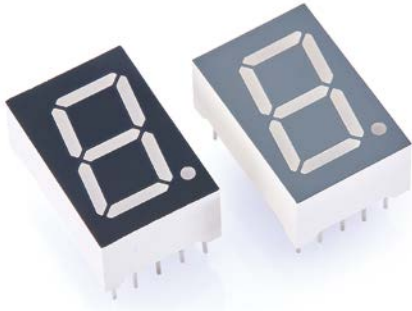


Common Cathode		Common Anode		Emitting Color	Wavelength λ_d (nm)/CIE (x.y)	Typ. Luminous Intensity I_v (mcd)/Seg.	Forward Current I_F (mA)
Part No	Ref. PN	Part No	Ref. PN				
C-521UB	DKC15UB897G	A-521UB	DKA15UB892G	Blue	465	16	10
C-521G	DKC15G900G	A-521G	DKA15G895G	Yellow Green	570	2	10
C-521Y	DKC15Y899G	A-521Y	DKA15Y894G	Yellow	587	1.8	10
C-521E	DKC15E901G	A-521E	DKA15E896G	Super Red	628	1.9	10
C-521SR	DKC15SR898G	A-521SR	DKA15SR893G	Hyper Red	640	10	10

0.56 inch

Single Digit

551 Series



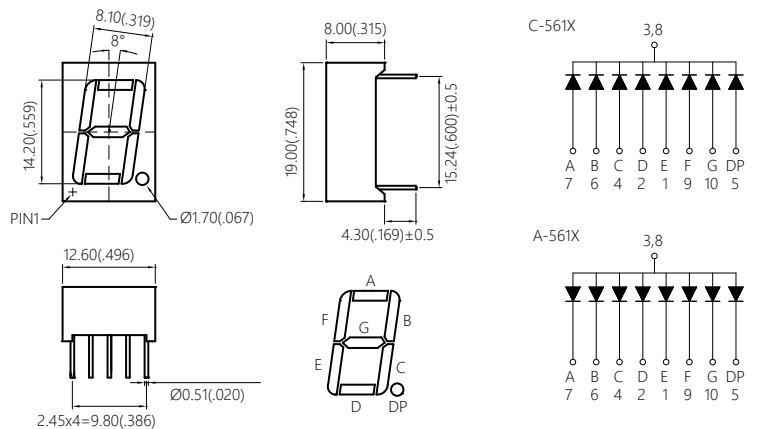
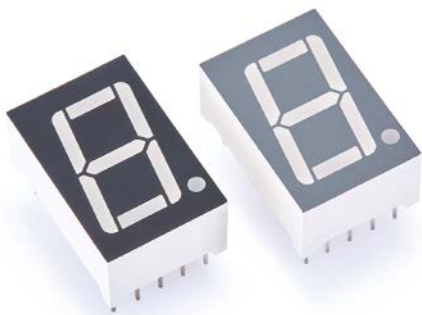
Unit : mm

Common Cathode		Common Anode		Emitting Color	Wavelength λ_d (nm)/CIE (x.y)	Typ. Luminous Intensity I_v (mcd)/Seg.	Forward Current I_f (mA)
Part No	Ref. PN	Part No	Ref. PN				
C-551UB	DKC15UB887G	A-551UB	DKA15UB882G	Blue	465	18	10
C-551G	DKC15G890G	A-551G	DKA15G885G	Yellow Green	570	2.1	10
C-551Y	DKC15Y889G	A-551Y	DKA15Y884G	Yellow	587	1.9	10
C-551E	DKC15E891G	A-551E	DKA15E886G	Super Red	628	2	10
C-551SR	DKC15SR888G	A-551SR	DKA15SR883G	Hyper Red	640	12	10

0.56 inch

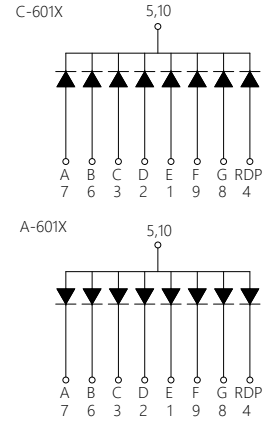
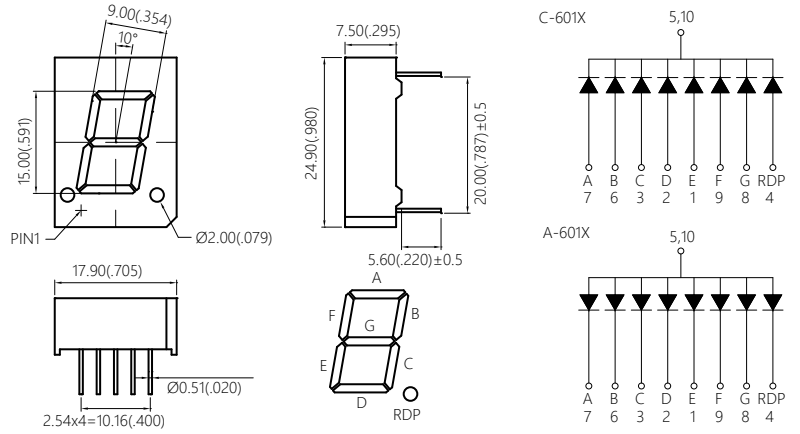
Single Digit

561 Series



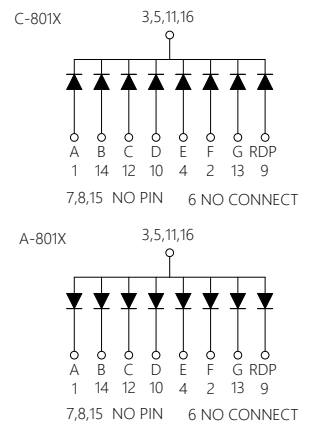
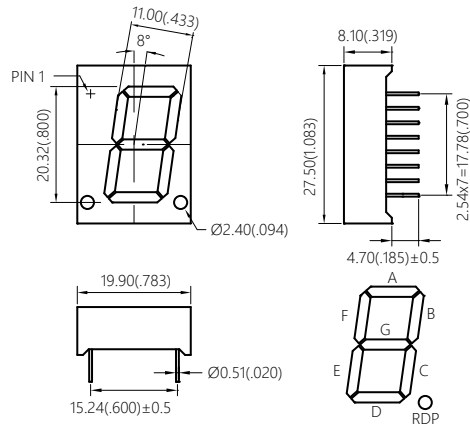
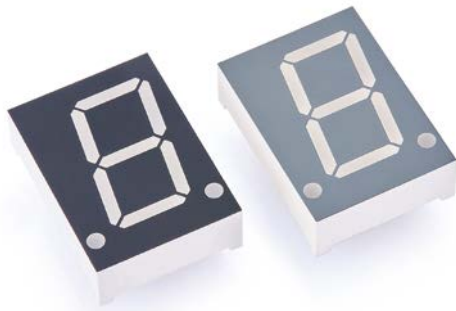
Unit : mm

Common Cathode		Common Anode		Emitting Color	Wavelength λ_d (nm)/CIE (x.y)	Typ. Luminous Intensity I_v (mcd)/Seg.	Forward Current I_f (mA)
Part No	Ref. PN	Part No	Ref. PN				
C-561UB	DKC15UB877G	A-561UB	DKA15UB872G	Blue	465	18	10
C-561G	DKC15G880G	A-561G	DKA15G875G	Yellow Green	570	2.1	10
C-561Y	DKC15Y879G	A-561Y	DKA15Y874G	Yellow	587	1.9	10
C-561E	DKC15E881G	A-561E	DKA15E876G	Super Red	628	2	10
C-561SR	DKC15SR878G	A-561SR	DKA15SR873G	Hyper Red	640	12	10



Unit : mm

Common Cathode		Common Anode		Emitting Color	Wavelength λ_d (nm)/CIE (x.y)	Typ. Luminous Intensity I_v (mcd)/Seg.	Forward Current I_F (mA)
Part No	Ref. PN	Part No	Ref. PN				
C-601G	DKC16G870G	A-601G	DKA16G866G	Yellow Green	570	2.2	10
C-601Y	DKC16Y869G	A-601Y	DKA16Y865G	Yellow	587	2	10
C-601E	DKC16E871G	A-601E	DKA16E867G	Super Red	628	2.1	10
C-601SR	DKC16SR868G	A-601SR	DKA16SR864G	Hyper Red	640	14	10



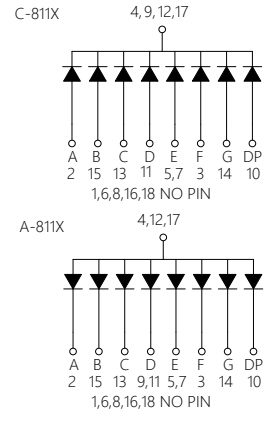
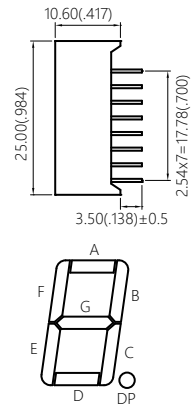
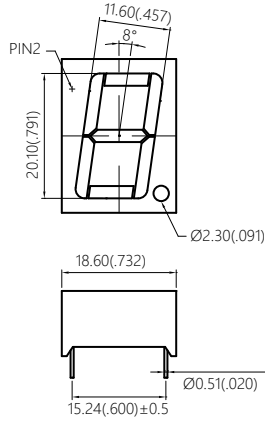
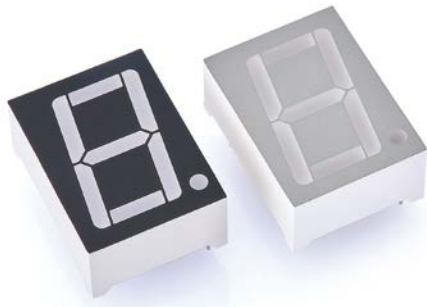
Unit : mm

Common Cathode		Common Anode		Emitting Color	Wavelength λ_d (nm)/CIE (x.y)	Typ. Luminous Intensity I_v (mcd)/Seg.	Forward Current I_F (mA)
Part No	Ref. PN	Part No	Ref. PN				
C-801G	DKC18G862G	A-801G	DKA18G858G	Yellow Green	570	2.6	10
C-801Y	DKC18Y861G	A-801Y	DKA18Y857G	Yellow	587	2.4	10
C-801E	DKC18E863G	A-801E	DKA18E859G	Super Red	628	2.5	10
C-801SR	DKC18SR860G	A-801SR	DKA18SR856G	Hyper Red	640	20	10

0.8 inch

Single Digit

811 Series



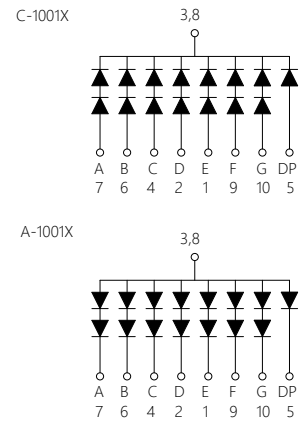
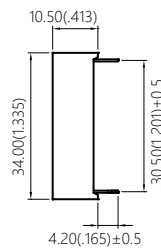
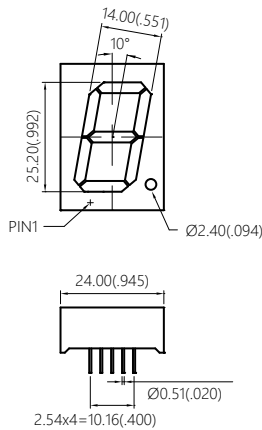
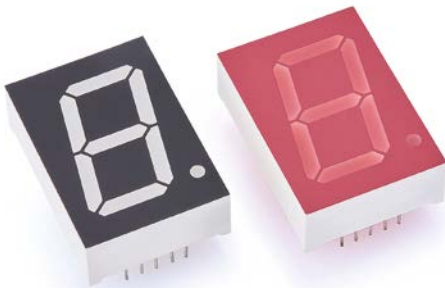
Unit : mm

Common Cathode		Common Anode		Emitting Color	Wavelength λ_d (nm)/CIE (x.y)	Typ. Luminous Intensity I_v (mcd)/Seg.	Forward Current I_f (mA)
Part No	Ref. PN	Part No	Ref. PN				
C-811G	DKC18G854G	A-811G	DKA18G850G	Yellow Green	570	2.7	10
C-811Y	DKC18Y853G	A-811Y	DKA18Y849G	Yellow	587	2.5	10
C-811E	DKC18E855G	A-811E	DKA18E851G	Super Red	628	2.6	10
C-811SR	DKC18SR852G	A-811SR	DKA18SR848G	Hyper Red	640	21	10

1.0 inch

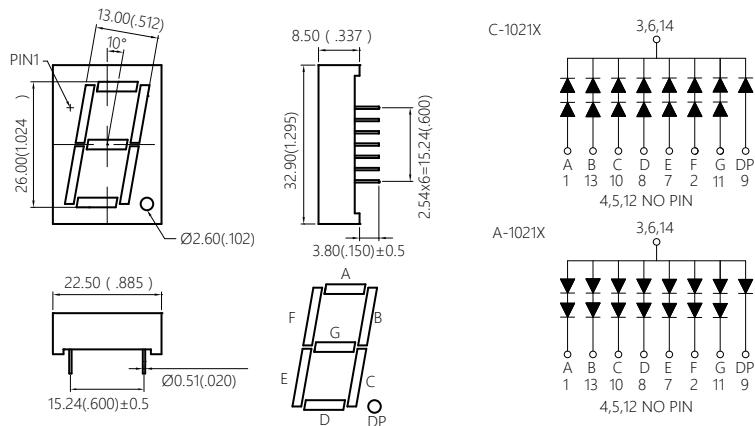
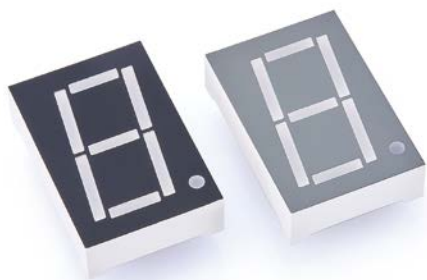
Single Digit

1001 Series



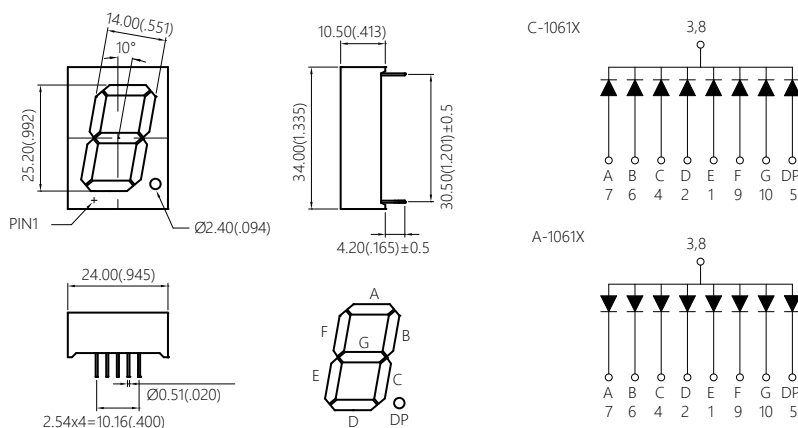
Unit : mm

Common Cathode		Common Anode		Emitting Color	Wavelength λ_d (nm)/CIE (x.y)	Typ. Luminous Intensity I_v (mcd)/Seg.	Forward Current I_f (mA)
Part No	Ref. PN	Part No	Ref. PN				
C-1001UB	DKC1AUB843G	A-1001UB	DKA1AUB838G	Blue	465	40	10
C-1001G	DKC1AG846G	A-1001G	DKA1AG841G	Yellow Green	570	3.4	10
C-1001Y	DKC1AY845G	A-1001Y	DKA1AY840G	Yellow	587	3	10
C-1001E	DKC1AE847G	A-1001E	DKA1AE842G	Super Red	628	3.2	10
C-1001SR	DKC1ASR844G	A-1001SR	DKA1ASR839G	Hyper Red	640	28	10



Unit : mm

Common Cathode		Common Anode		Emitting Color	Wavelength λ_d (nm)/CIE (x.y)	Typ. Luminous Intensity I_v (mcd)/Seg.	Forward Current I_F (mA)
Part No	Ref. PN	Part No	Ref. PN				
C-1021UB	DKC1AUB833G	A-1021UB	DKA1AUB828G	Blue	465	40	10
C-1021G	DKC1AG836G	A-1021G	DKA1AG831G	Yellow Green	570	3.4	10
C-1021Y	DKC1AY835G	A-1021Y	DKA1AY830G	Yellow	587	3	10
C-1021E	DKC1AE837G	A-1021E	DKA1AE832G	Super Red	628	3.2	10
C-1021SR	DKC1ASR834G	A-1021SR	DKA1ASR829G	Hyper Red	640	28	10



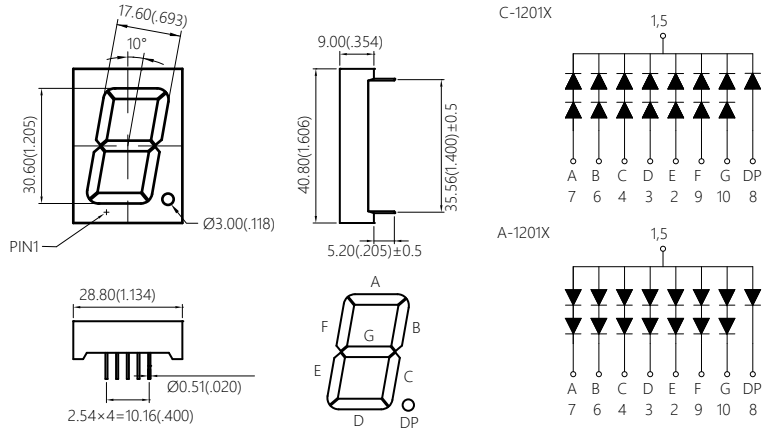
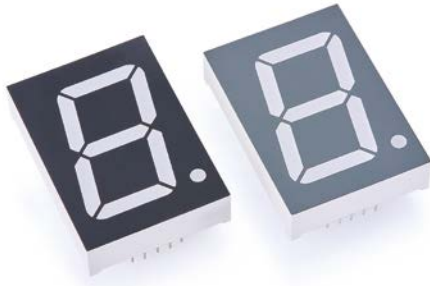
Unit : mm

Common Cathode		Common Anode		Emitting Color	Wavelength λ_d (nm)/CIE (x.y)	Typ. Luminous Intensity I_v (mcd)/Seg.	Forward Current I_F (mA)
Part No	Ref. PN	Part No	Ref. PN				
C-1061G	DKC1AG826G	A-1061G	DKA1AG822G	Yellow Green	570	4	10
C-1061Y	DKC1AY825G	A-1061Y	DKA1AY821G	Yellow	587	3.2	10
C-1061E	DKC1AE827G	A-1061E	DKA1AE823G	Super Red	628	4.2	10
C-1061SR	DKC1ASR824G	A-1061SR	DKA1ASR820G	Hyper Red	640	40	10

1.2 inch

Single Digit

1201 Series



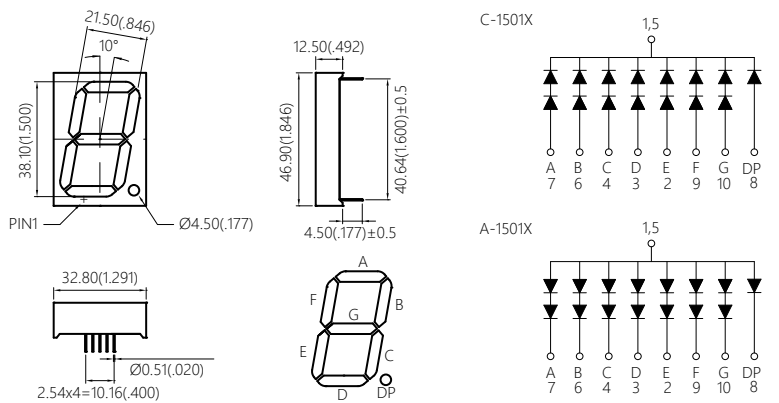
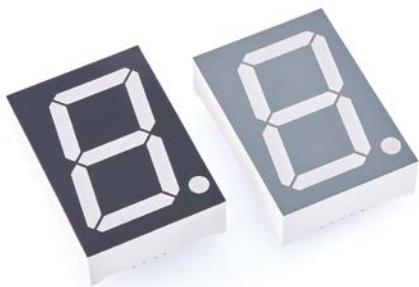
Unit : mm

Common Cathode		Common Anode		Emitting Color	Wavelength λ_d (nm)/CIE (x.y)	Typ. Luminous Intensity I_v (mcd)/Seg.	Forward Current I_F (mA)
Part No	Ref. PN	Part No	Ref. PN				
C-1201UB	DKC1AUB815G	A-1201UB	DKA1AUB810G	Blue	465	45	10
C-1201G	DKC1AG818G	A-1201G	DKA1AG813G	Yellow Green	570	3.6	10
C-1201Y	DKC1AY817G	A-1201Y	DKA1AY812G	Yellow	587	3.2	10
C-1201E	DKC1AE819G	A-1201E	DKA1AE814G	Super Red	628	3.4	10
C-1201SR	DKC1ASR816G	A-1201SR	DKA1ASR811G	Hyper Red	640	32	10

1.5 inch

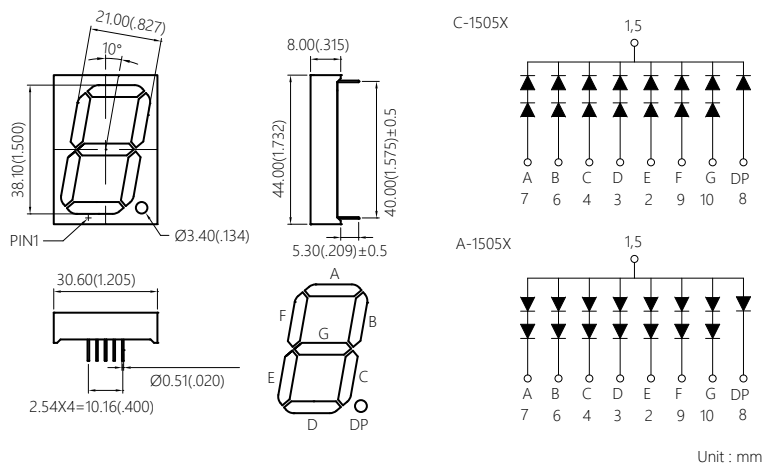
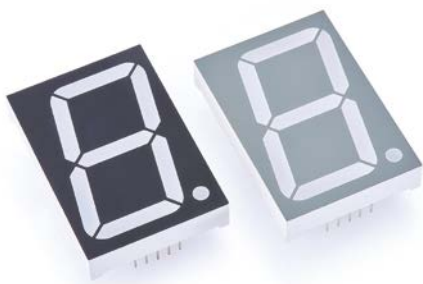
Single Digit

1501 Series



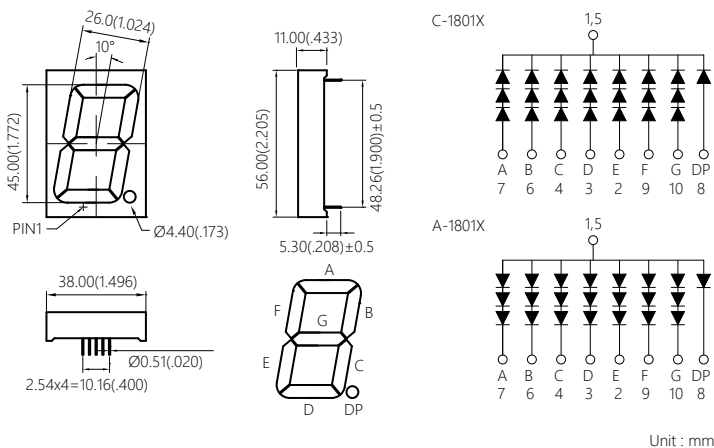
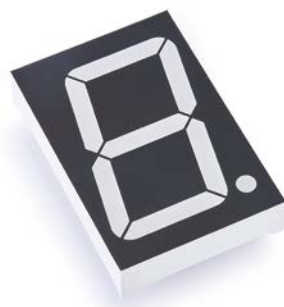
Unit : mm

Common Cathode		Common Anode		Emitting Color	Wavelength λ_d (nm)/CIE (x.y)	Typ. Luminous Intensity I_v (mcd)/Seg.	Forward Current I_F (mA)
Part No	Ref. PN	Part No	Ref. PN				
C-1501G	DKC1AG808G	A-1501G	DKA1AG804G	Yellow Green	570	3.8	10
C-1501Y	DKC1AY807G	A-1501Y	DKA1AY803G	Yellow	587	3.4	10
C-1501E	DKC1AE809G	A-1501E	DKA1AE805G	Super Red	628	3.6	10
C-1501SR	DKC1ASR806G	A-1501SR	DKA1ASR802G	Hyper Red	640	35	10



Unit : mm

Common Cathode		Common Anode		Emitting Color	Wavelength λ_d (nm)/CIE (x.y)	Typ. Luminous Intensity I_v (mcd)/Seg.	Forward Current I_F (mA)
Part No	Ref. PN	Part No	Ref. PN				
C-1505G	DKC1AG800G	A-1505G	DKA1AG796G	Yellow Green	570	3.8	10
C-1505Y	DKC1AY799G	A-1505Y	DKA1AY795G	Yellow	587	3.4	10
C-1505E	DKC1AE801G	A-1505E	DKA1AE797G	Super Red	628	3.6	10
C-1505SR	DKC1ASR798G	A-1505SR	DKA1ASR794G	Hyper Red	640	35	10



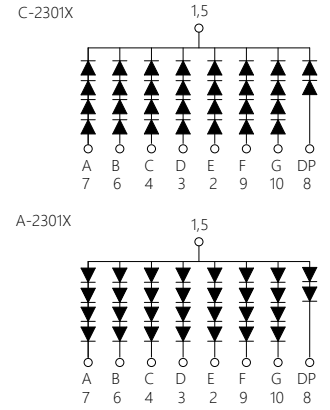
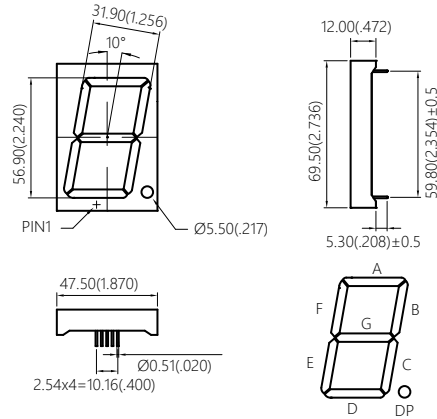
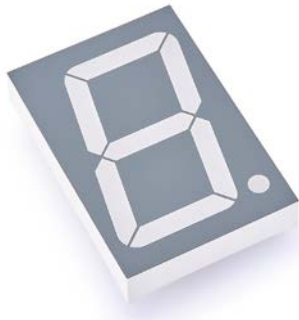
Unit : mm

Common Cathode		Common Anode		Emitting Color	Wavelength λ_d (nm)/CIE (x.y)	Typ. Luminous Intensity I_v (mcd)/Seg.	Forward Current I_F (mA)
Part No	Ref. PN	Part No	Ref. PN				
C-1801UB	DKC1AUB789G	A-1801UB	DKA1AUB784G	Blue	465	50	10
C-1801G	DKC1AG792G	A-1801G	DKA1AG787G	Yellow Green	570	4.4	10
C-1801Y	DKC1AY791G	A-1801Y	DKA1AY786G	Yellow	587	4	10
C-1801E	DKC1AE793G	A-1801E	DKA1AE788G	Super Red	628	4.2	10
C-1801SR	DKC1ASR790G	A-1801SR	DKA1ASR785G	Hyper Red	640	40	10

2.3 inch

Single Digit

2301 Series



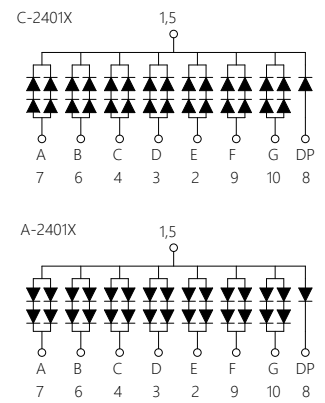
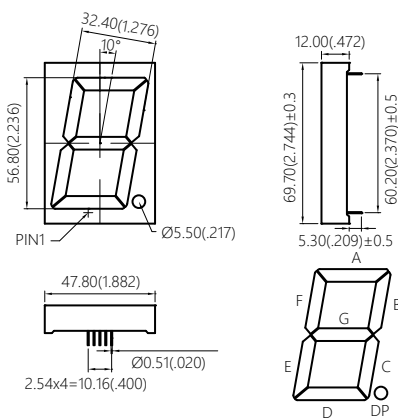
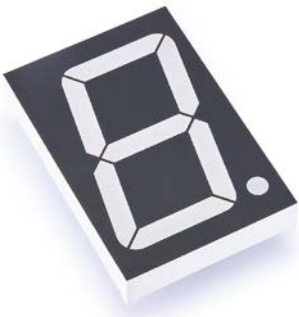
Unit : mm

Common Cathode		Common Anode		Emitting Color	Wavelength λ_d (nm)/CIE (x.y)	Typ. Luminous Intensity I_v (mcd)/Seg.	Forward Current I_f (mA)
Part No	Ref. PN	Part No	Ref. PN				
C-2301UB	DKC1AUB779G	A-2301UB	DKA1AUB774G	Blue	465	48	10
C-2301G	DKC1AG782G	A-2301G	DKA1AG777G	Yellow Green	570	4.8	10
C-2301Y	DKC1AY781G	A-2301Y	DKA1AY776G	Yellow	587	4.4	10
C-2301E	DKC1AE783G	A-2301E	DKA1AE778G	Super Red	628	4.6	10
C-2301SR	DKC1ASR780G	A-2301SR	DKA1ASR775G	Hyper Red	640	44	10

2.3 inch

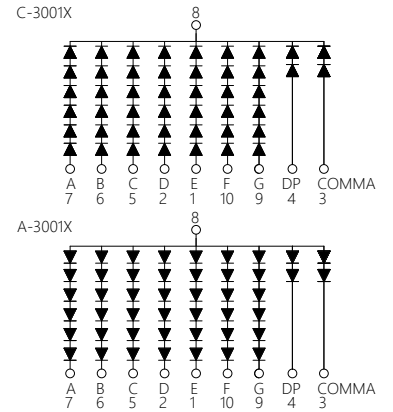
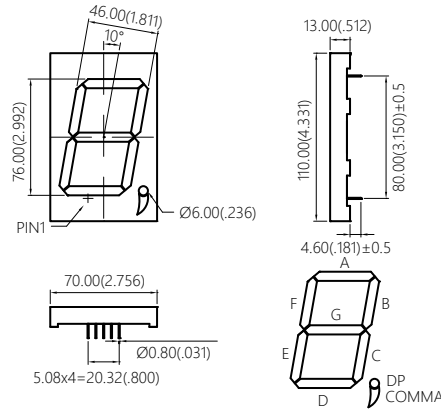
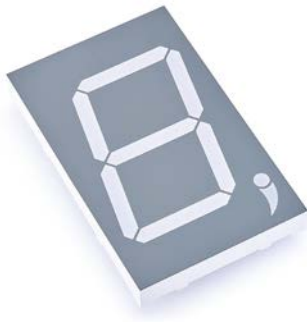
Single Digit

2401 Series



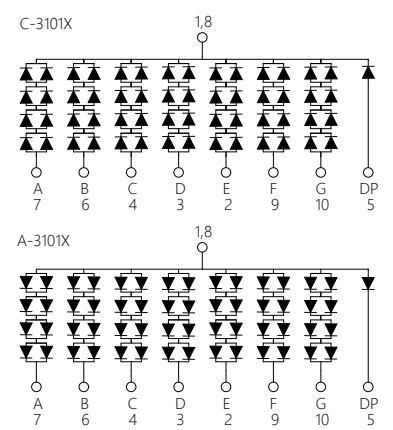
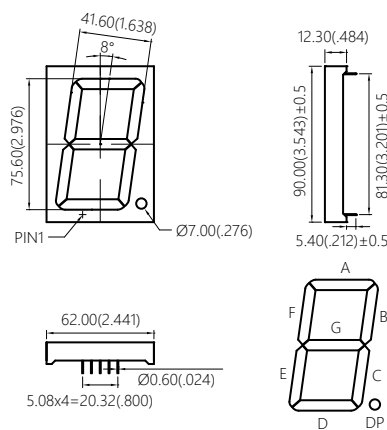
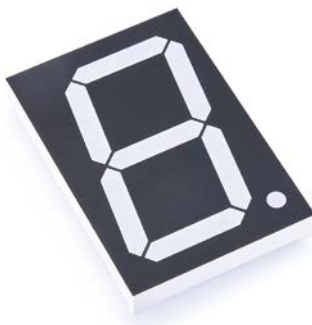
Unit : mm

Common Cathode		Common Anode		Emitting Color	Wavelength λ_d (nm)/CIE (x.y)	Typ. Luminous Intensity I_v (mcd)/Seg.	Forward Current I_f (mA)
Part No	Ref. PN	Part No	Ref. PN				
C-2401G	DKC1AG772G	A-2401G	DKA1AG768G	Yellow Green	570	5.5	10
C-2401Y	DKC1AY771G	A-2401Y	DKA1AY767G	Yellow	587	5.4	10
C-2401E	DKC1AE773G	A-2401E	DKA1AE769G	Super Red	628	5.5	10
C-2401SR	DKC1ASR770G	A-2401SR	DKA1ASR766G	Hyper Red	640	50	10



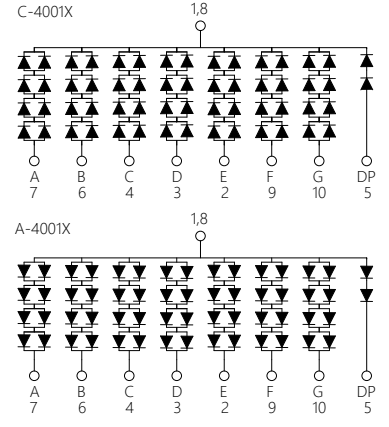
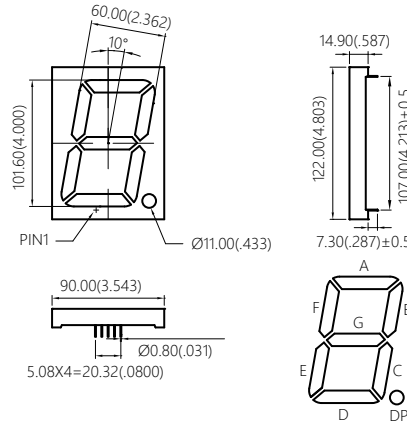
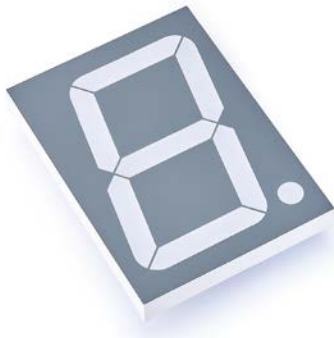
Unit : mm

Common Cathode		Common Anode		Emitting Color	Wavelength λ_d (nm)/CIE (x.y)	Typ. Luminous Intensity I_v (mcd)/Seg.	Forward Current I_F (mA)
Part No	Ref. PN	Part No	Ref. PN				
C-3001UB	DKC1AUB761G	A-3001UB	DKA1AUB756G	Blue	465	58	10
C-3001G	DKC1AG764G	A-3001G	DKA1AG759G	Yellow Green	570	6.4	10
C-3001Y	DKC1AY763G	A-3001Y	DKA1AY758G	Yellow	587	6	10
C-3001E	DKC1AE765G	A-3001E	DKA1AE760G	Super Red	628	6.2	10
C-3001SR	DKC1ASR762G	A-3001SR	DKA1ASR757G	Hyper Red	640	50	10



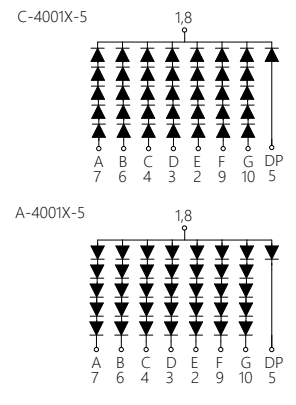
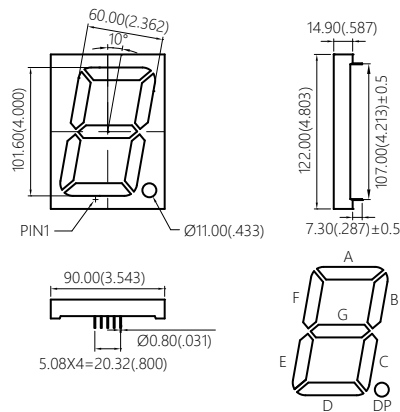
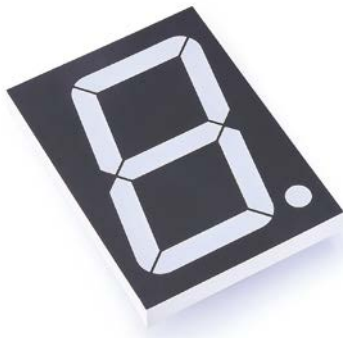
Unit : mm

Common Cathode		Common Anode		Emitting Color	Wavelength λ_d (nm)/CIE (x.y)	Typ. Luminous Intensity I_v (mcd)/Seg.	Forward Current I_F (mA)
Part No	Ref. PN	Part No	Ref. PN				
C-3101G	DKC1AG754G	A-3101G	DKA1AG750G	Yellow Green	570	8.4	10
C-3101Y	DKC1AY753G	A-3101Y	DKA1AY749G	Yellow	587	8	10
C-3101E	DKC1AE755G	A-3101E	DKA1AE751G	Super Red	628	8.2	10
C-3101SR	DKC1ASR752G	A-3101SR	DKA1ASR748G	Hyper Red	640	58	10



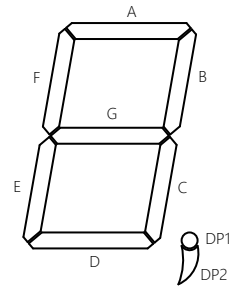
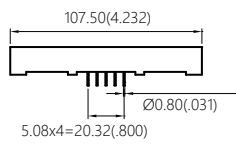
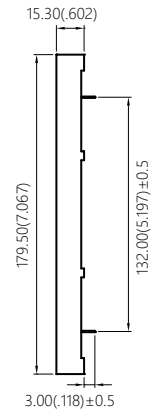
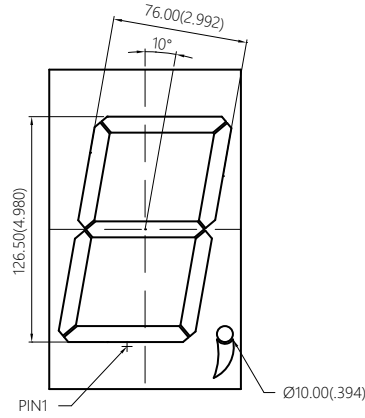
Unit : mm

Common Cathode		Common Anode		Emitting Color	Wavelength λ_d (nm)/CIE (x.y)	Typ. Luminous Intensity I_v (mcd)/Seg.	Forward Current I_F (mA)
Part No	Ref. PN	Part No	Ref. PN				
C-4001UB	DKC1AUB743G	A-4001UB	DKA1AUB738G	Blue	465	74	10
C-4001G	DKC1AG746G	A-4001G	DKA1AG741G	Yellow Green	570	14	10
C-4001Y	DKC1AY745G	A-4001Y	DKA1AY740G	Yellow	587	12	10
C-4001E	DKC1AE747G	A-4001E	DKA1AE742G	Super Red	628	13	10
C-4001SR	DKC1ASR744G	A-4001SR	DKA1ASR739G	Hyper Red	640	65	10

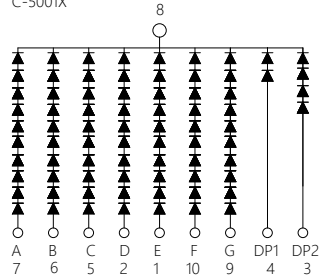


Unit : mm

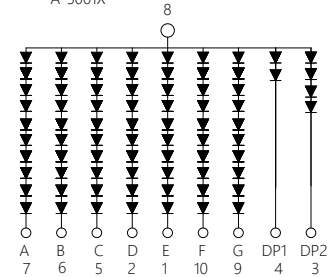
Common Cathode		Common Anode		Emitting Color	Wavelength λ_d (nm)/CIE (x.y)	Typ. Luminous Intensity I_v (mcd)/Seg.	Forward Current I_F (mA)
Part No	Ref. PN	Part No	Ref. PN				
C-4001UB-5	DKC1AUB733G	A-4001UB-5	DKA1AUB728G	Blue	465	60	10
C-4001G-5	DKC1AG736G	A-4001G-5	DKA1AG731G	Yellow Green	570	8	10
C-4001Y-5	DKC1AY735G	A-4001Y-5	DKA1AY730G	Yellow	587	7.5	10
C-4001E-5	DKC1AE737G	A-4001E-5	DKA1AE732G	Super Red	628	7.8	10
C-4001SR-5	DKC1ASR734G	A-4001SR-5	DKA1ASR729G	Hyper Red	640	52	10



C-5001X

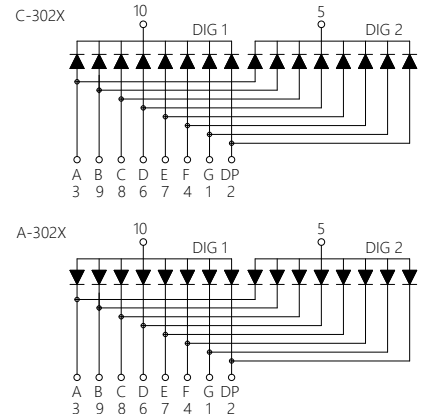
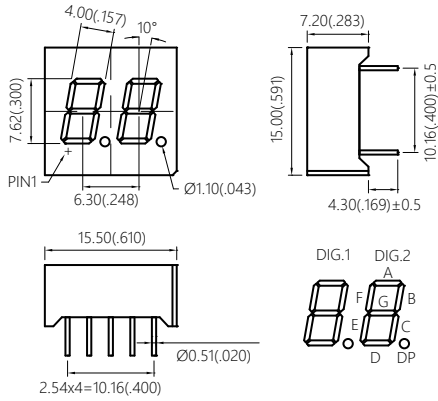
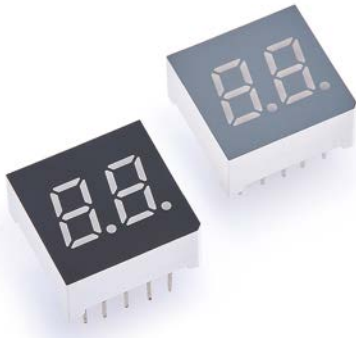


A-5001X



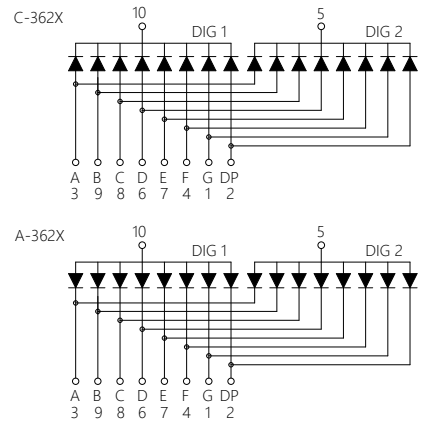
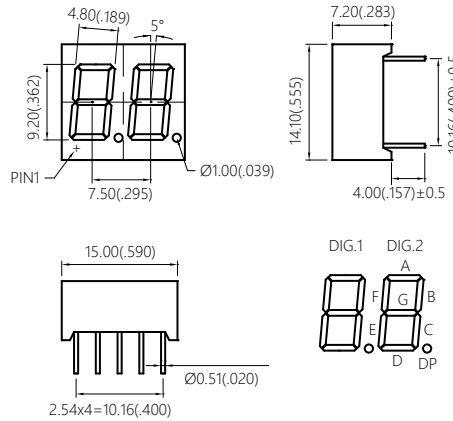
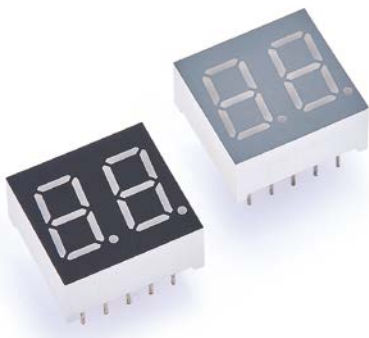
Unit : mm

Common Cathode		Common Anode		Emitting Color	Wavelength λ _d (nm)/CIE (x.y)	Typ. Luminous Intensity I _v (mcd)/Seg.	Forward Current I _F (mA)
Part No	Ref. PN	Part No	Ref. PN				
C-5001G	DKC1AG726G	A-5001G	DKA1AG722G	Yellow Green	570	24	10
C-5001Y	DKC1AY725G	A-5001Y	DKA1AY721G	Yellow	587	20	10
C-5001E	DKC1AE727G	A-5001E	DKA1AE723G	Super Red	628	22	10
C-5001SR	DKC1ASR724G	A-5001SR	DKA1ASR720G	Hyper Red	640	70	10



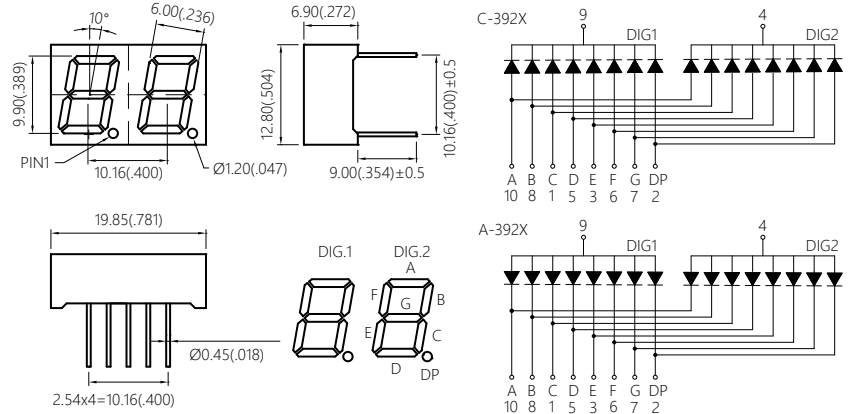
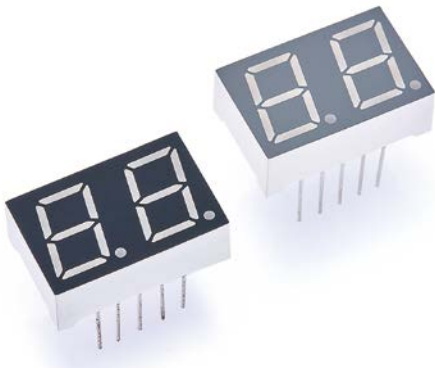
Unit : mm

Common Cathode		Common Anode		Emitting Color	Wavelength λ_d (nm)/CIE (x.y)	Typ. Luminous Intensity I_v (mcd)/Seg.	Forward Current I_f (mA)
Part No	Ref. PN	Part No	Ref. PN				
C-302G	DKC23G718G	A-302G	DKA23G714G	Yellow Green	570	1.4	10
C-302Y	DKC23Y717G	A-302Y	DKA23Y713G	Yellow	587	1.2	10
C-302E	DKC23E719G	A-302E	DKA23E715G	Super Red	628	1.3	10
C-302SR	DKC23SR716G	A-302SR	DKA23SR712G	Hyper Red	640	4.2	10



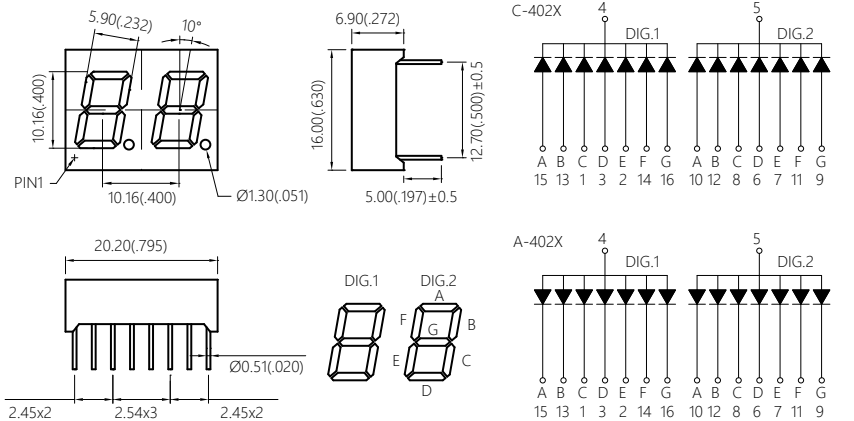
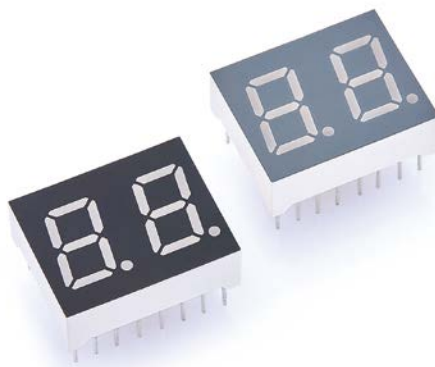
Unit : mm

Common Cathode		Common Anode		Emitting Color	Wavelength λ_d (nm)/CIE (x.y)	Typ. Luminous Intensity I_v (mcd)/Seg.	Forward Current I_f (mA)
Part No	Ref. PN	Part No	Ref. PN				
C-362UB	DKC23UB707G	A-362UB	DKA23UB702G	Blue	465	9	10
C-362G	DKC23G710G	A-362G	DKA23G705G	Yellow Green	570	1.6	10
C-362Y	DKC23Y709G	A-362Y	DKA23Y704G	Yellow	587	1.4	10
C-362E	DKC23E711G	A-362E	DKA23E706G	Super Red	628	1.5	10
C-362SR	DKC23SR708G	A-362SR	DKA23SR703G	Hyper Red	640	4.6	10



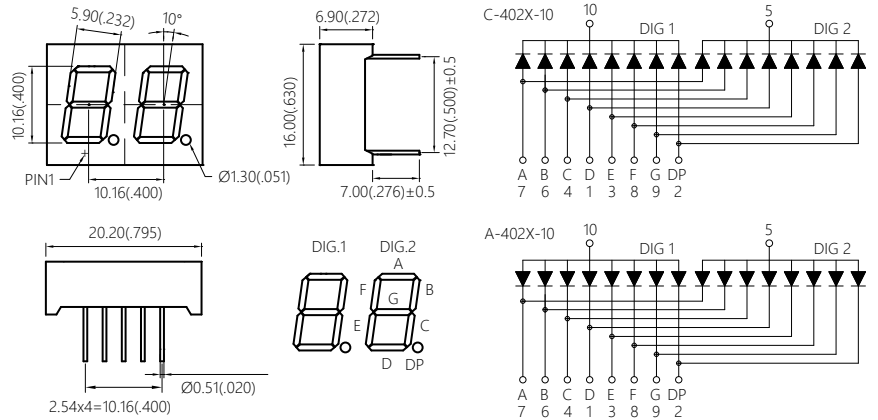
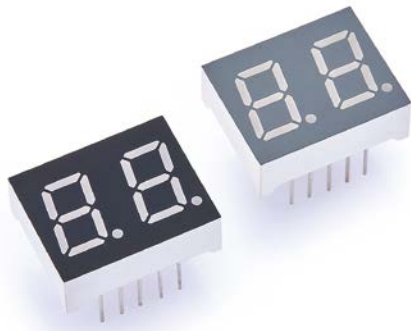
Unit : mm

Common Cathode		Common Anode		Emitting Color	Wavelength λ_d (nm)/CIE (x,y)	Typ. Luminous Intensity I_v (mcd)/Seg.	Forward Current I_F (mA)
Part No	Ref. PN	Part No	Ref. PN				
C-392UB	DKC23UB697G	A-392UB	DKA23UB692G	Blue	465	10	10
C-392G	DKC23G700G	A-392G	DKA23G695G	Yellow Green	570	1.7	10
C-392Y	DKC23Y699G	A-392Y	DKA23Y694G	Yellow	587	1.5	10
C-392E	DKC23E701G	A-392E	DKA23E696G	Super Red	628	1.6	10
C-392SR	DKC23SR698G	A-392SR	DKA23SR693G	Hyper Red	640	4.8	10



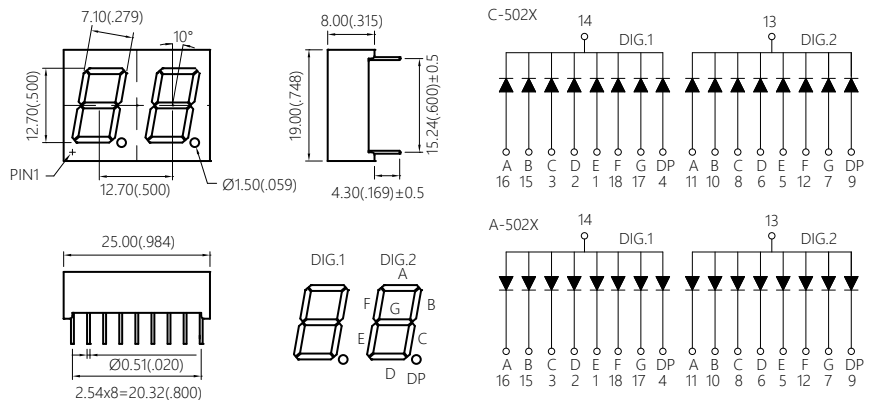
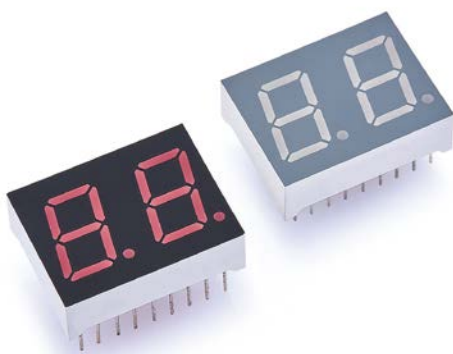
Unit : mm

Common Cathode		Common Anode		Emitting Color	Wavelength λ_d (nm)/CIE (x,y)	Typ. Luminous Intensity I_v (mcd)/Seg.	Forward Current I_F (mA)
Part No	Ref. PN	Part No	Ref. PN				
C-402UB	DKC24UB687G	A-402UB	DKA24UB682G	Blue	465	10	10
C-402G	DKC24G690G	A-402G	DKA24G685G	Yellow Green	570	1.7	10
C-402Y	DKC24Y689G	A-402Y	DKA24Y684G	Yellow	587	1.5	10
C-402E	DKC24E691G	A-402E	DKA24E686G	Super Red	628	1.6	10
C-402SR	DKC24SR688G	A-402SR	DKA24SR683G	Hyper Red	640	5	10



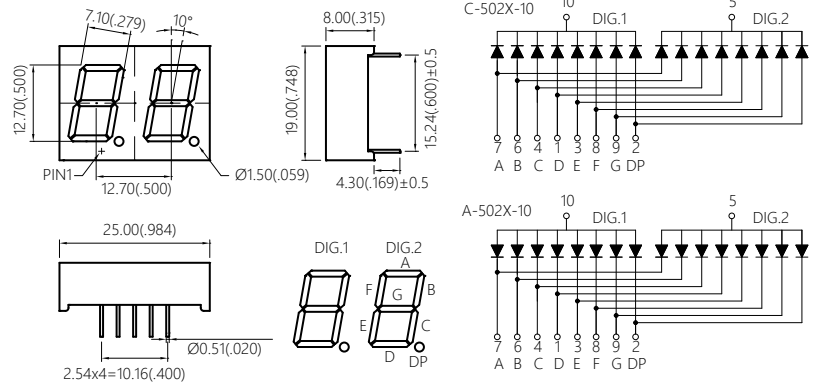
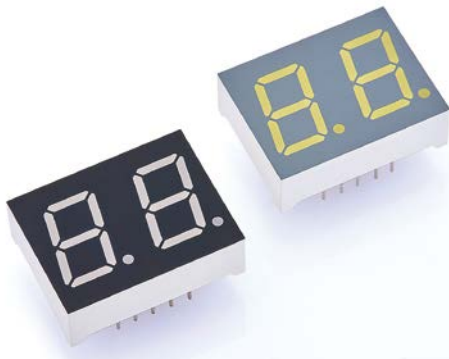
Unit : mm

Common Cathode		Common Anode		Emitting Color	Wavelength λ_d (nm)/CIE (x,y)	Typ. Luminous Intensity I_v (mcd)/Seg.	Forward Current I_F (mA)
Part No	Ref. PN	Part No	Ref. PN				
C-402UB-10	DKC24UB677G	A-402UB-10	DKA24UB672G	Blue	465	10	10
C-402G-10	DKC24G680G	A-402G-10	DKA24G675G	Yellow Green	570	1.7	10
C-402Y-10	DKC24Y679G	A-402Y-10	DKA24Y674G	Yellow	587	1.5	10
C-402E-10	DKC24E681G	A-402E-10	DKA24E676G	Super Red	628	1.6	10
C-402SR-10	DKC24SR678G	A-402SR-10	DKA24SR673G	Hyper Red	640	5	10



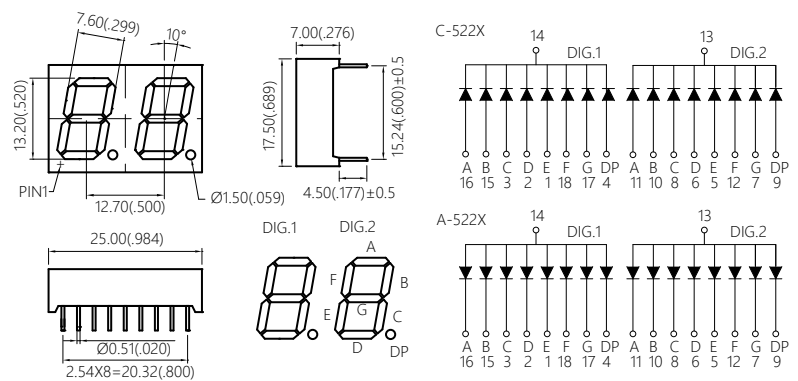
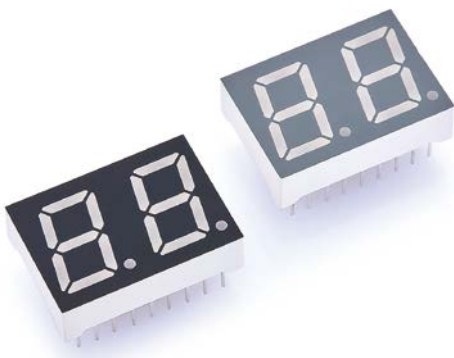
Unit : mm

Common Cathode		Common Anode		Emitting Color	Wavelength λ_d (nm)/CIE (x,y)	Typ. Luminous Intensity I_v (mcd)/Seg.	Forward Current I_F (mA)
Part No	Ref. PN	Part No	Ref. PN				
C-502UB	DKC25UB667G	A-502UB	DKA25UB662G	Blue	465	14	10
C-502G	DKC25G670G	A-502G	DKA25G665G	Yellow Green	570	1.9	10
C-502Y	DKC25Y669G	A-502Y	DKA25Y664G	Yellow	587	1.7	10
C-502E	DKC25E671G	A-502E	DKA25E666G	Super Red	628	1.8	10
C-502SR	DKC25SR668G	A-502SR	DKA25SR663G	Hyper Red	640	8	10



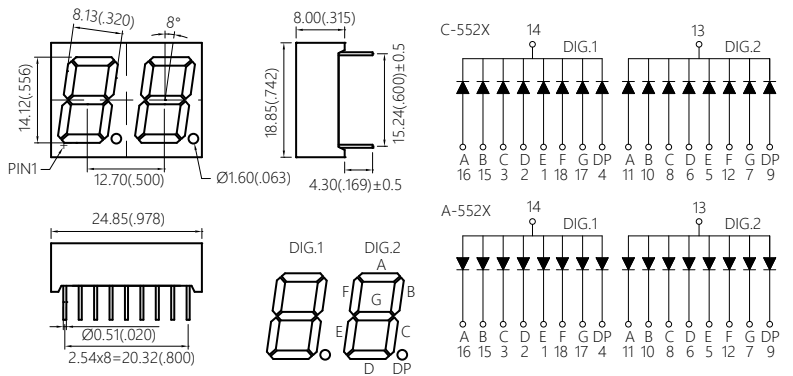
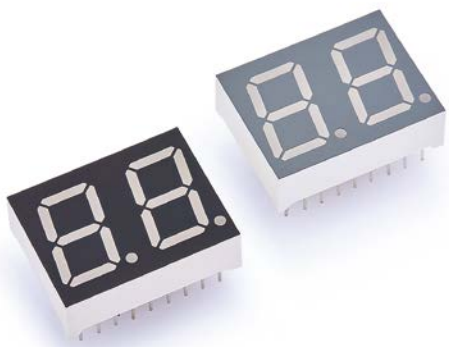
Unit : mm

Common Cathode		Common Anode		Emitting Color	Wavelength λ_d (nm)/CIE (x.y)	Typ. Luminous Intensity I_v (mcd)/Seg.	Forward Current I_F (mA)
Part No	Ref. PN	Part No	Ref. PN				
C-502UB-10	DKC25UB657G	A-502UB-10	DKA25UB652G	Blue	465	14	10
C-502G-10	DKC25G660G	A-502G-10	DKA25G655G	Yellow Green	570	1.9	10
C-502Y-10	DKC25Y659G	A-502Y-10	DKA25Y654G	Yellow	587	1.7	10
C-502E-10	DKC25E661G	A-502E-10	DKA25E656G	Super Red	628	1.8	10
C-502SR-10	DKC25SR658G	A-502SR-10	DKA25SR653G	Hyper Red	640	8	10



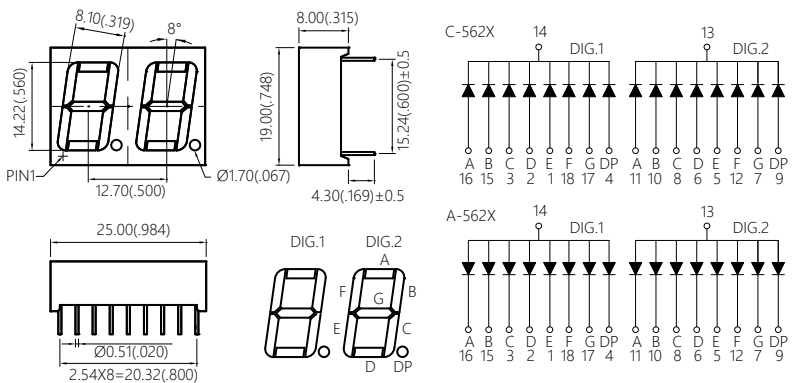
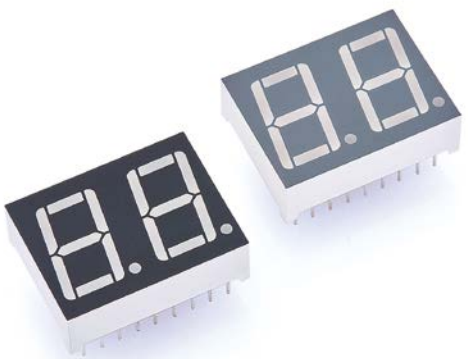
Unit : mm

Common Cathode		Common Anode		Emitting Color	Wavelength λ_d (nm)/CIE (x.y)	Typ. Luminous Intensity I_v (mcd)/Seg.	Forward Current I_F (mA)
Part No	Ref. PN	Part No	Ref. PN				
C-522G	DKC25G650G	A-522G	DKA25G646G	Yellow Green	570	2	10
C-522Y	DKC25Y649G	A-522Y	DKA25Y645G	Yellow	587	1.8	10
C-522E	DKC25E651G	A-522E	DKA25E647G	Super Red	628	1.9	10
C-522SR	DKC25SR648G	A-522SR	DKA25SR644G	Hyper Red	640	10	10



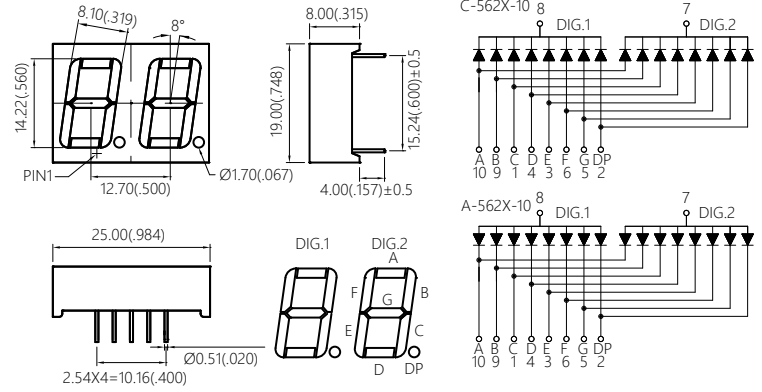
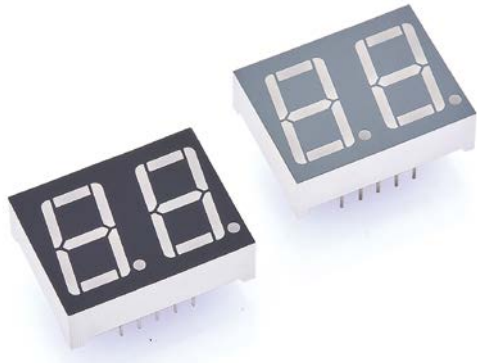
Unit : mm

Common Cathode		Common Anode		Emitting Color	Wavelength λ_d (nm)/CIE (x.y)	Typ. Luminous Intensity I_v (mcd)/Seg.	Forward Current I_F (mA)
Part No	Ref. PN	Part No	Ref. PN				
C-552G	DKC25G642G	A-552G	DKA25G638G	Yellow Green	570	2.1	10
C-552Y	DKC25Y641G	A-552Y	DKA25Y637G	Yellow	587	1.9	10
C-552E	DKC25E643G	A-552E	DKA25E639G	Super Red	628	2	10
C-552SR	DKC25SR640G	A-552SR	DKA25SR636G	Hyper Red	640	12	10



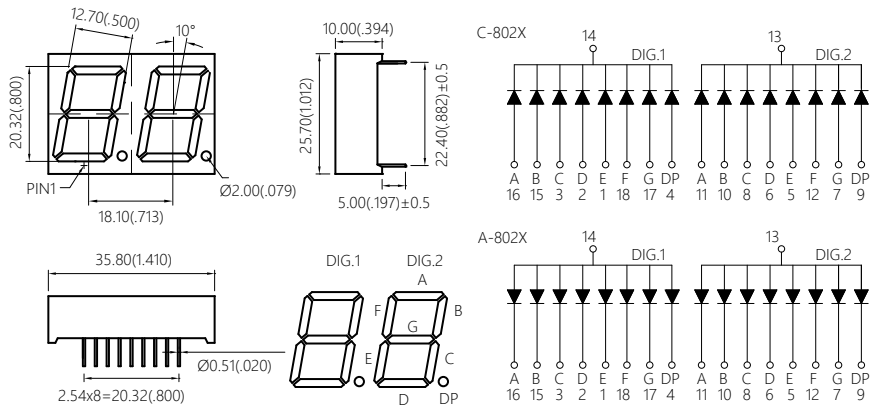
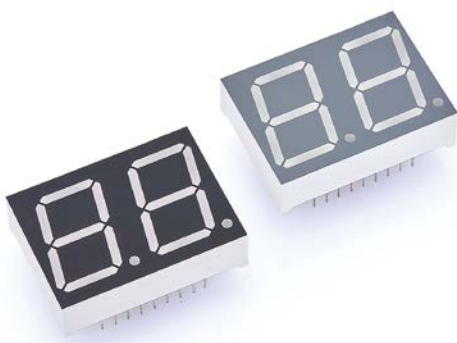
Unit : mm

Common Cathode		Common Anode		Emitting Color	Wavelength λ_d (nm)/CIE (x.y)	Typ. Luminous Intensity I_v (mcd)/Seg.	Forward Current I_F (mA)
Part No	Ref. PN	Part No	Ref. PN				
C-562UB	DKC25UB631G	A-562UB	DKA25UB626G	Blue	465	18	10
C-562G	DKC25G634G	A-562G	DKA25G629G	Yellow Green	570	2.1	10
C-562Y	DKC25Y633G	A-562Y	DKA25Y628G	Yellow	587	1.9	10
C-562E	DKC25E635G	A-562E	DKA25E630G	Super Red	628	2	10
C-562SR	DKC25SR632G	A-562SR	DKA25SR627G	Hyper Red	640	12	10



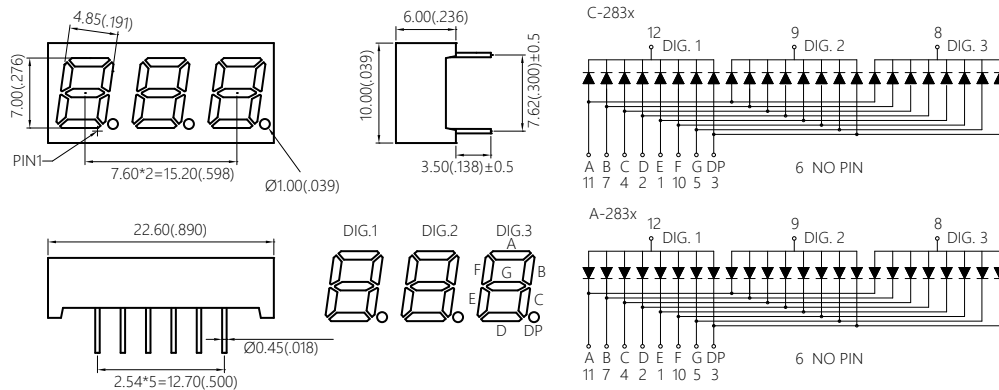
Unit : mm

Common Cathode		Common Anode		Emitting Color	Wavelength λ_d (nm)/CIE (x.y)	Typ. Luminous Intensity I_v (mcd)/Seg.	Forward Current I_F (mA)
Part No	Ref. PN	Part No	Ref. PN				
C-562UB-10	DKC25UB621G	A-562UB-10	DKA25UB616G	Blue	465	18	10
C-562G-10	DKC25G624G	A-562G-10	DKA25G619G	Yellow Green	570	2.1	10
C-562Y-10	DKC25Y623G	A-562Y-10	DKA25Y618G	Yellow	587	1.9	10
C-562E-10	DKC25E625G	A-562E-10	DKA25E620G	Super Red	628	2	10
C-562SR-10	DKC25SR622G	A-562SR-10	DKA25SR617G	Hyper Red	640	12	10



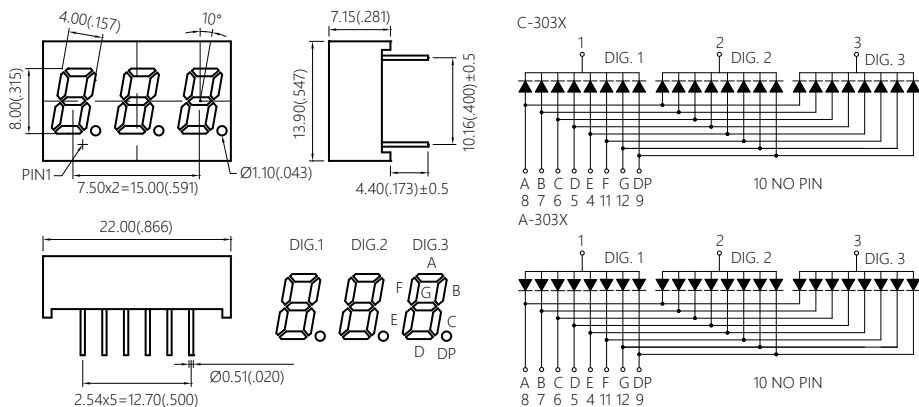
Unit : mm

Common Cathode		Common Anode		Emitting Color	Wavelength λ_d (nm)/CIE (x.y)	Typ. Luminous Intensity I_v (mcd)/Seg.	Forward Current I_F (mA)
Part No	Ref. PN	Part No	Ref. PN				
C-802UB	DKC28UB611G	A-802UB	DKA28UB606G	Blue	465	28	10
C-802G	DKC28G614G	A-802G	DKA28G609G	Yellow Green	570	2.6	10
C-802Y	DKC28Y613G	A-802Y	DKA28Y608G	Yellow	587	2.4	10
C-802E	DKC28E615G	A-802E	DKA28E610G	Super Red	628	2.5	10
C-802SR	DKC28SR612G	A-802SR	DKA28SR607G	Hyper Red	640	20	10



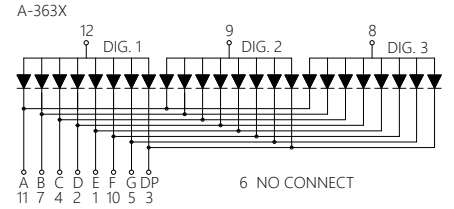
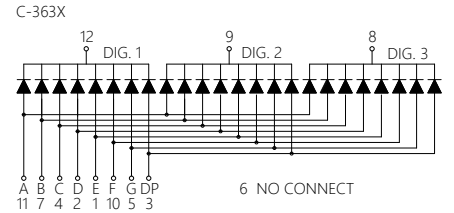
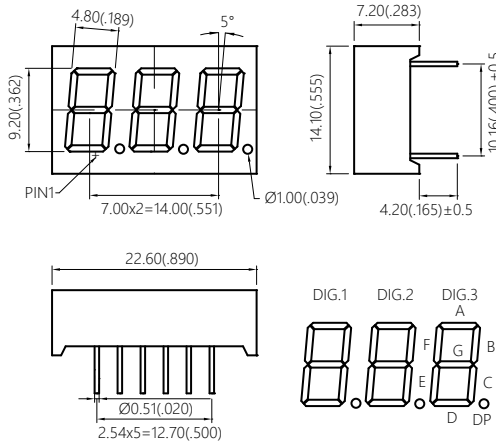
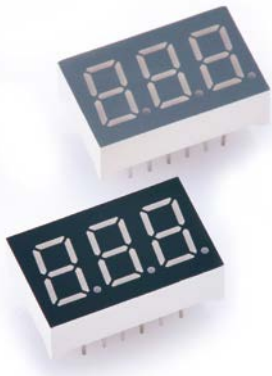
Unit : mm

Common Cathode		Common Anode		Emitting Color	Wavelength λ_d (nm)/CIE (x.y)	Typ. Luminous Intensity I_v (mcd)/Seg.	Forward Current I_F (mA)
Part No	Ref. PN	Part No	Ref. PN				
C-283G	DKC32G604G	A-283G	DKA32G600G	Yellow Green	570	1.3	10
C-283Y	DKC32Y603G	A-283Y	DKA32Y599G	Yellow	587	1.1	10
C-283E	DKC32E605G	A-283E	DKA32E601G	Super Red	628	1.2	10
C-283SR	DKC32SR602G	A-283SR	DKA32SR598G	Hyper Red	640	4	10



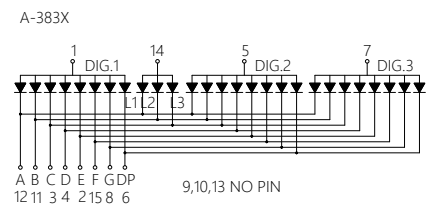
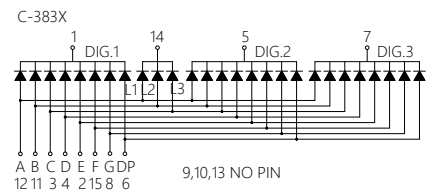
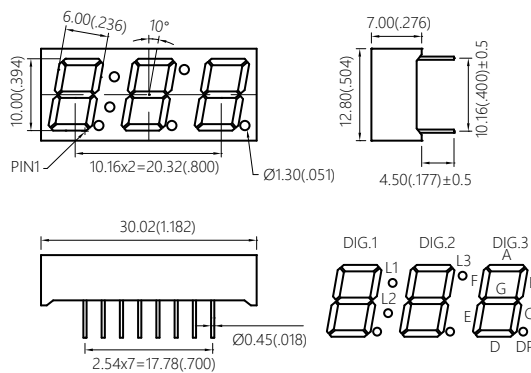
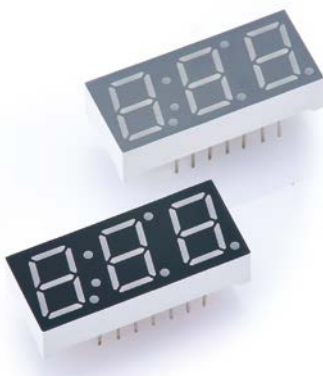
Unit : mm

Common Cathode		Common Anode		Emitting Color	Wavelength λ_d (nm)/CIE (x.y)	Typ. Luminous Intensity I_v (mcd)/Seg.	Forward Current I_F (mA)
Part No	Ref. PN	Part No	Ref. PN				
C-303UB	DKC33UB593G	A-303UB	DKA33UB588G	Blue	465	8	10
C-303G	DKC33G596G	A-303G	DKA33G591G	Yellow Green	570	1.4	10
C-303Y	DKC33Y595G	A-303Y	DKA33Y590G	Yellow	587	1.2	10
C-303E	DKC33E597G	A-303E	DKA33E592G	Super Red	628	1.3	10
C-303SR	DKC33SR594G	A-303SR	DKA33SR589G	Hyper Red	640	4.2	10



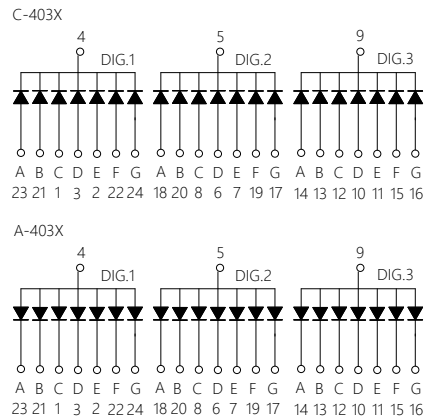
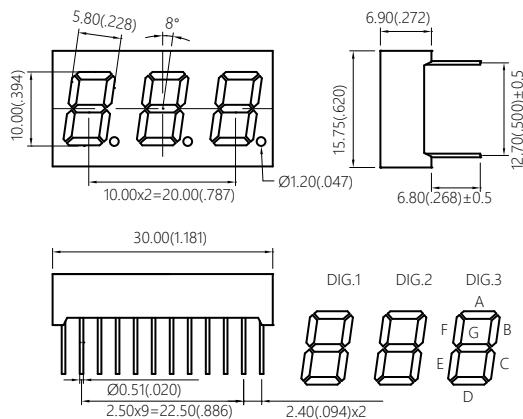
Unit : mm

Common Cathode		Common Anode		Emitting Color	Wavelength λ_d (nm)/CIE (x.y)	Typ. Luminous Intensity I_v (mcd)/Seg.	Forward Current I_F (mA)
Part No	Ref. PN	Part No	Ref. PN				
C-363UB	DKC33UB583G	A-363UB	DKA33UB578G	Blue	465	9	10
C-363G	DKC33G586G	A-363G	DKA33G581G	Yellow Green	570	1.6	10
C-363Y	DKC33Y585G	A-363Y	DKA33Y580G	Yellow	587	1.4	10
C-363E	DKC33E587G	A-363E	DKA33E582G	Super Red	628	1.5	10
C-363SR	DKC33SR584G	A-363SR	DKA33SR579G	Hyper Red	640	4.6	10



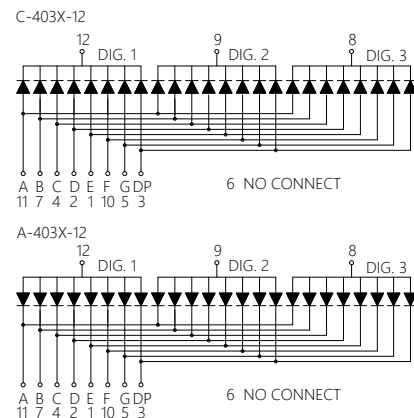
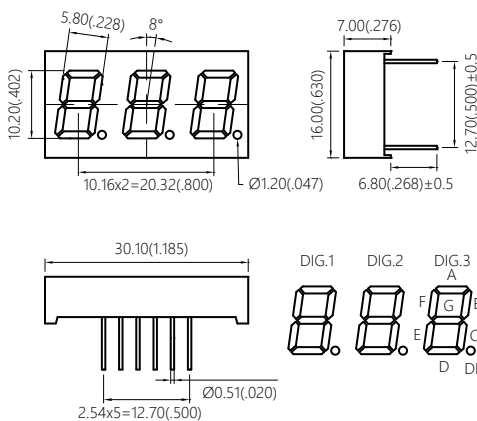
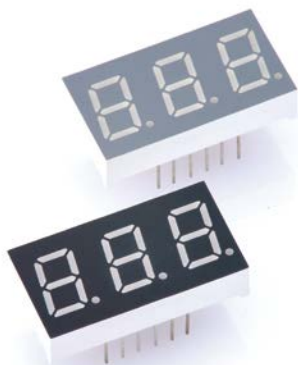
Unit : mm

Common Cathode		Common Anode		Emitting Color	Wavelength λ_d (nm)/CIE (x.y)	Typ. Luminous Intensity I_v (mcd)/Seg.	Forward Current I_F (mA)
Part No	Ref. PN	Part No	Ref. PN				
C-383G	DKC33G576G	A-383G	DKA33G572G	Yellow Green	570	1.7	10
C-383Y	DKC33Y575G	A-383Y	DKA33Y571G	Yellow	587	1.5	10
C-383E	DKC33E577G	A-383E	DKA33E573G	Super Red	628	1.6	10
C-383SR	DKC33SR574G	A-383SR	DKA33SR570G	Hyper Red	640	4.8	10



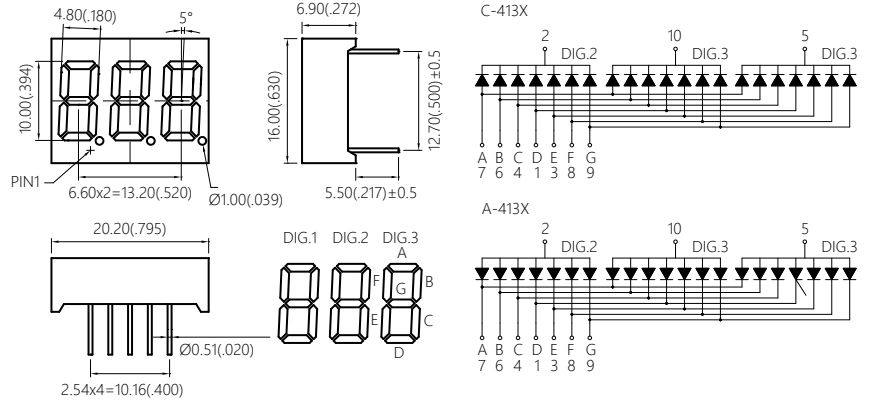
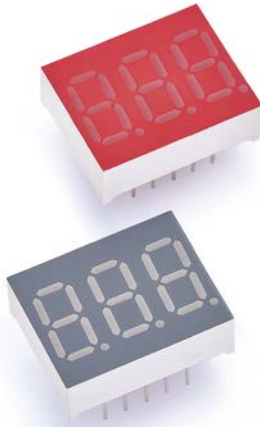
Unit : mm

Common Cathode		Common Anode		Emitting Color	Wavelength λ _d (nm)/CIE (x,y)	Typ. Luminous Intensity I _v (mcd)/Seg.	Forward Current I _F (mA)
Part No	Ref. PN	Part No	Ref. PN				
C-403UB	DKC34UB565G	A-403UB	DKA34UB560G	Blue	465	10	10
C-403G	DKC34G568G	A-403G	DKA34G563G	Yellow Green	570	1.7	10
C-403Y	DKC34Y567G	A-403Y	DKA34Y562G	Yellow	587	1.5	10
C-403E	DKC34E569G	A-403E	DKA34E564G	Super Red	628	1.6	10
C-403SR	DKC34SR566G	A-403SR	DKA34SR561G	Hyper Red	640	5	10



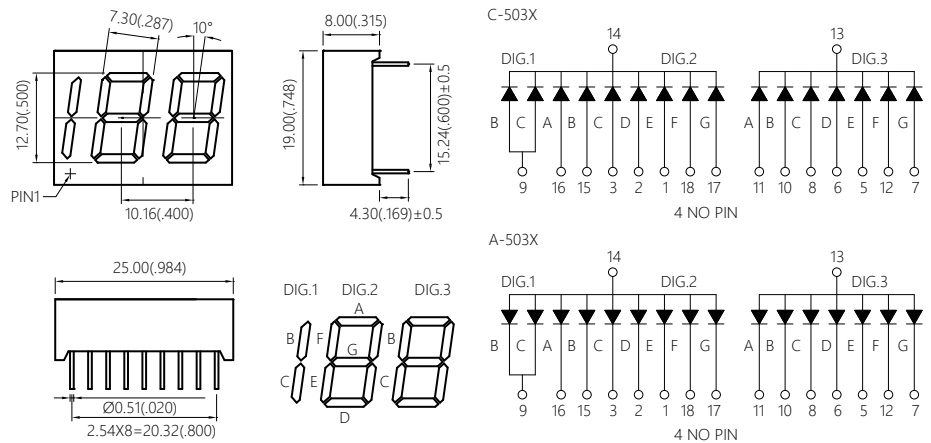
Unit : mm

Common Cathode		Common Anode		Emitting Color	Wavelength λ _d (nm)/CIE (x,y)	Typ. Luminous Intensity I _v (mcd)/Seg.	Forward Current I _F (mA)
Part No	Ref. PN	Part No	Ref. PN				
C-403UB-12	DKC34UB555G	A-403UB-12	DKA34UB550G	Blue	465	10	10
C-403G-12	DKC34G558G	A-403G-12	DKA34G553G	Yellow Green	570	1.7	10
C-403Y-12	DKC34Y557G	A-403Y-12	DKA34Y552G	Yellow	587	1.5	10
C-403E-12	DKC34E559G	A-403E-12	DKA34E554G	Super Red	628	1.6	10
C-403SR-12	DKC34SR556G	A-403SR-12	DKA34SR551G	Hyper Red	640	5	10



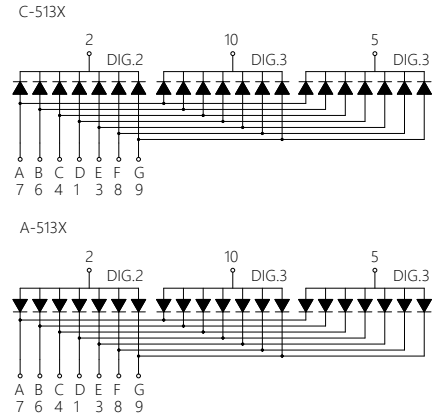
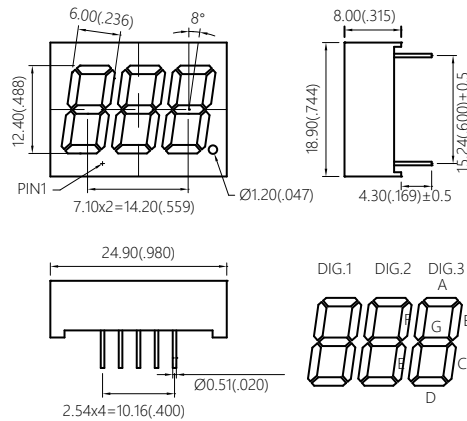
Unit : mm

Common Cathode		Common Anode		Emitting Color	Wavelength λ_d (nm)/CIE (x.y)	Typ. Luminous Intensity I_v (mcd)/Seg.	Forward Current I_F (mA)
Part No	Ref. PN	Part No	Ref. PN				
C-413G	DKC34G548G	A-413G	DKA34G544G	Yellow Green	570	1.7	10
C-413Y	DKC34Y547G	A-413Y	DKA34Y543G	Yellow	587	1.5	10
C-413E	DKC34E549G	A-413E	DKA34E545G	Super Red	628	1.6	10
C-413SR	DKC34SR546G	A-413SR	DKA34SR542G	Hyper Red	640	5	10



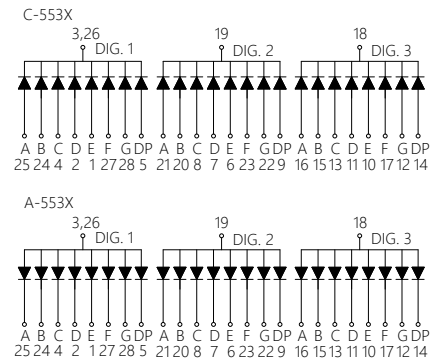
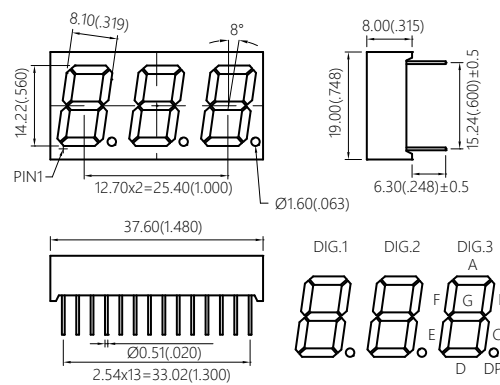
Unit : mm

Common Cathode		Common Anode		Emitting Color	Wavelength λ_d (nm)/CIE (x.y)	Typ. Luminous Intensity I_v (mcd)/Seg.	Forward Current I_F (mA)
Part No	Ref. PN	Part No	Ref. PN				
C-503G	DKC35G540G	A-503G	DKA35G536G	Yellow Green	570	1.9	10
C-503Y	DKC35Y539G	A-503Y	DKA35Y535G	Yellow	587	1.7	10
C-503E	DKC35E541G	A-503E	DKA35E537G	Super Red	628	1.8	10
C-503SR	DKC35SR538G	A-503SR	DKA35SR534G	Hyper Red	640	8	10



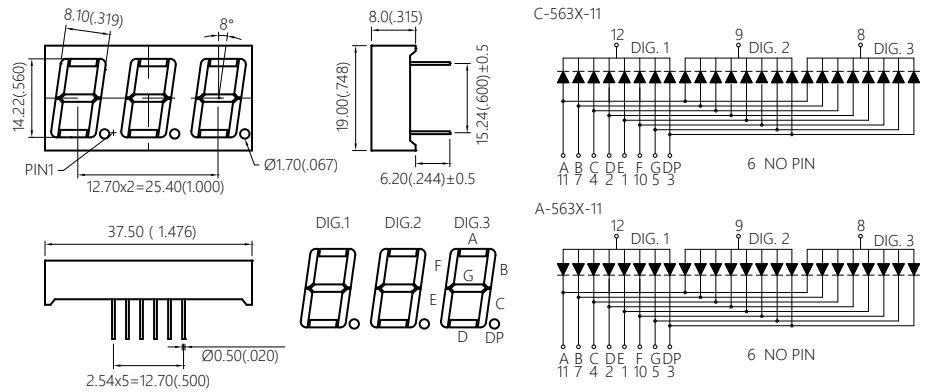
Unit : mm

Common Cathode		Common Anode		Emitting Color	Wavelength λ_d (nm)/CIE (x.y)	Typ. Luminous Intensity I_v (mcd)/Seg.	Forward Current I_f (mA)
Part No	Ref. PN	Part No	Ref. PN				
C-513G	DKC35G532G	A-513G	DKA35G528G	Yellow Green	570	1.9	10
C-513Y	DKC35Y531G	A-513Y	DKA35Y527G	Yellow	587	1.7	10
C-513E	DKC35E533G	A-513E	DKA35E529G	Super Red	628	1.8	10
C-513SR	DKC35SR530G	A-513SR	DKA35SR526G	Hyper Red	640	8	10



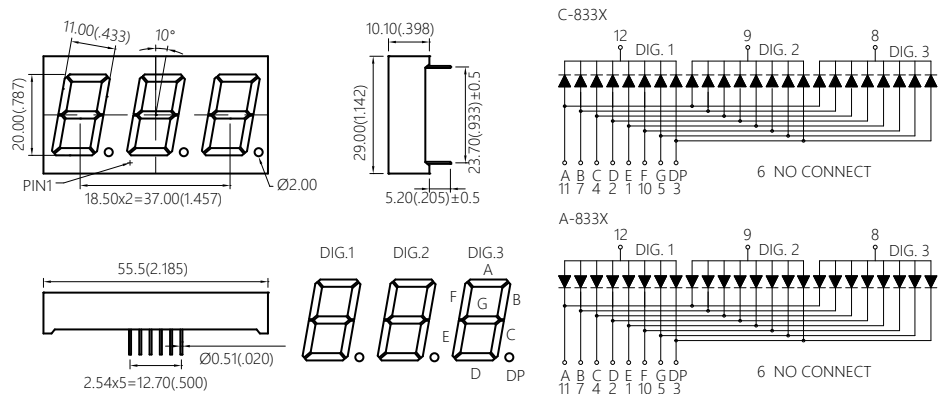
Unit : mm

Common Cathode		Common Anode		Emitting Color	Wavelength λ_d (nm)/CIE (x.y)	Typ. Luminous Intensity I_v (mcd)/Seg.	Forward Current I_f (mA)
Part No	Ref. PN	Part No	Ref. PN				
C-553G	DKC35G524G	A-553G	DKA35G520G	Yellow Green	570	2.1	10
C-553Y	DKC35Y523G	A-553Y	DKA35Y519G	Yellow	587	1.9	10
C-553E	DKC35E525G	A-553E	DKA35E521G	Super Red	628	2	10
C-553SR	DKC35SR522G	A-553SR	DKA35SR518G	Hyper Red	640	12	10



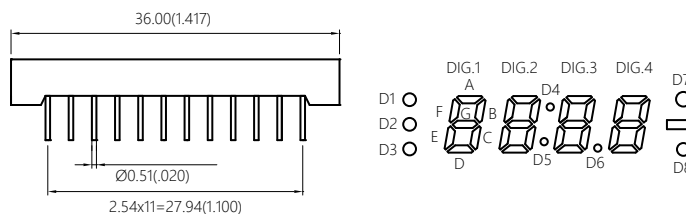
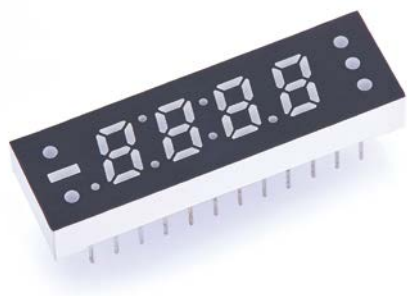
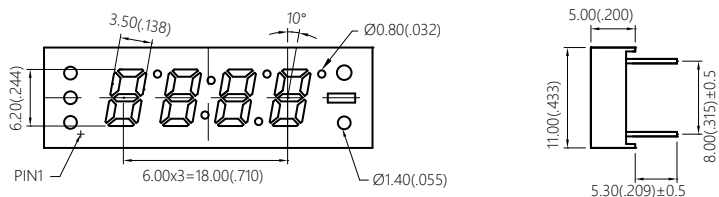
Unit : mm

Common Cathode		Common Anode		Emitting Color	Wavelength λ_d (nm)/CIE (x.y)	Typ. Luminous Intensity I_v (mcd)/Seg.	Forward Current I_F (mA)
Part No	Ref. PN	Part No	Ref. PN				
C-563UB-11	DKC35UB513G	A-563UB-11	DKA35UB508G	Blue	465	18	10
C-563G-11	DKC35G516G	A-563G-11	DKA35G511G	Yellow Green	570	2.1	10
C-563Y-11	DKC35Y515G	A-563Y-11	DKA35Y510G	Yellow	587	1.9	10
C-563E-11	DKC35E517G	A-563E-11	DKA35E512G	Super Red	628	2	10
C-563SR-11	DKC35SR514G	A-563SR-11	DKA35SR509G	Hyper Red	640	12	10

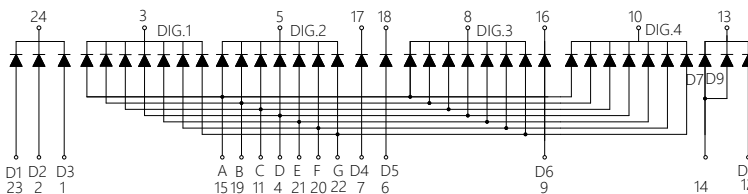


Unit : mm

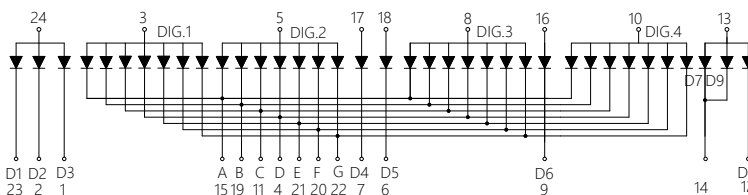
Common Cathode		Common Anode		Emitting Color	Wavelength λ_d (nm)/CIE (x.y)	Typ. Luminous Intensity I_v (mcd)/Seg.	Forward Current I_F (mA)
Part No	Ref. PN	Part No	Ref. PN				
C-833G	DKC38G506G	A-833G	DKA38G502G	Yellow Green	570	2.6	10
C-833Y	DKC38Y505G	A-833Y	DKA38Y501G	Yellow	587	2.4	10
C-833E	DKC38E507G	A-833E	DKA38E503G	Super Red	628	2.5	10
C-833SR	DKC38SR504G	A-833SR	DKA38SR500G	Hyper Red	640	20	10



C-244CX

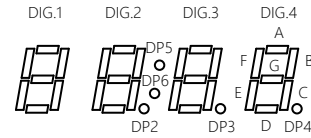
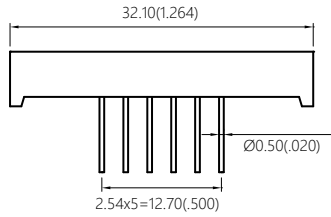
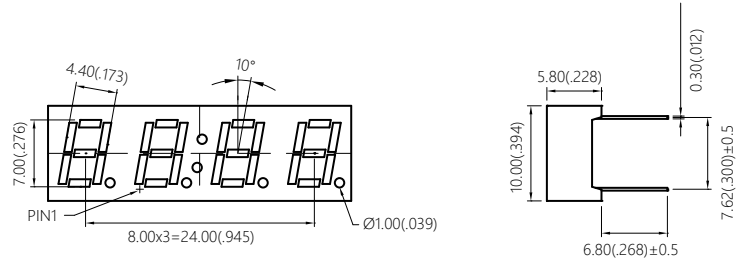


A-244CX

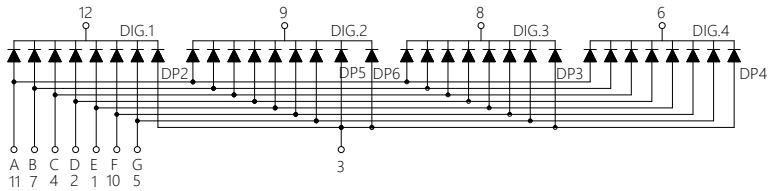


Unit : mm

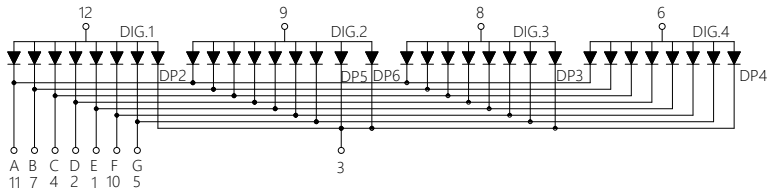
Common Cathode		Common Anode		Emitting Color	Wavelength λ_d (nm)/CIE (x,y)	Typ. Luminous Intensity I_v (mcd)/Seg.	Forward Current I_F (mA)
Part No	Ref. PN	Part No	Ref. PN				
C-244CG	DKC42G498G	A-244CG	DKA42G494G	Yellow Green	570	1.2	10
C-244CY	DKC42Y497G	A-244CY	DKA42Y493G	Yellow	587	1	10
C-244CE	DKC42E499G	A-244CE	DKA42E495G	Super Red	628	1.1	10
C-244CSR	DKC42SR496G	A-244CSR	DKA42SR492G	Hyper Red	640	4	10







C-284CX-12

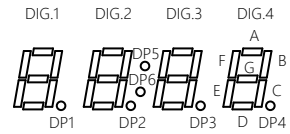
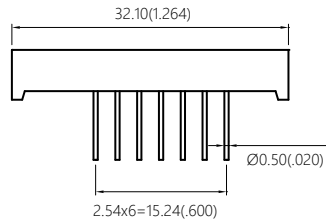
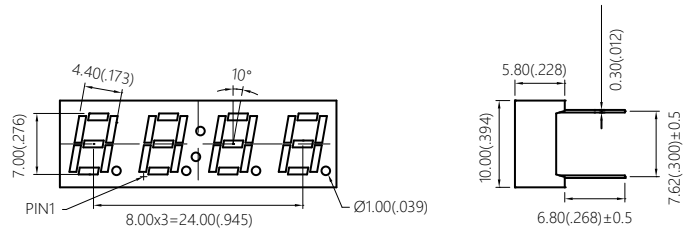


A-284CX-12

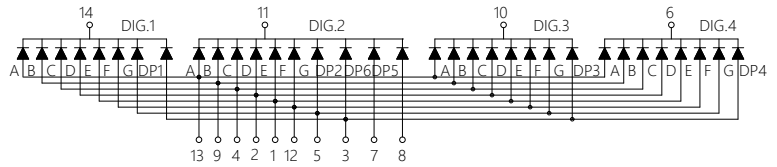


Unit : mm

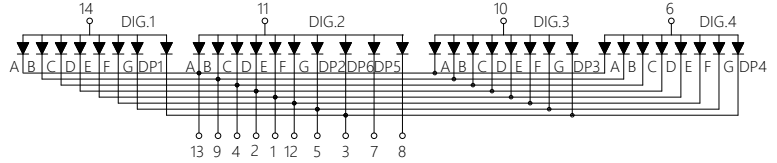
Common Cathode		Common Anode		Emitting Color	Wavelength λ_d (nm)/CIE (x.y)	Typ. Luminous Intensity I_v (mcd)/Seg.	Forward Current I_F (mA)
Part No	Ref. PN	Part No	Ref. PN				
C-284CG-12	DKC42G490G	A-284CG-12	DKA42G486G	 Yellow Green	570	1.4	10
C-284CY-12	DKC42Y489G	A-284CY-12	DKA42Y485G	 Yellow	587	1.2	10
C-284CE-12	DKC42E491G	A-284CE-12	DKA42E487G	 Super Red	628	1.3	10
C-284CSR-12	DKC42SR488G	A-284CSR-12	DKA42SR484G	 Hyper Red	640	4.2	10



C-284CX-14

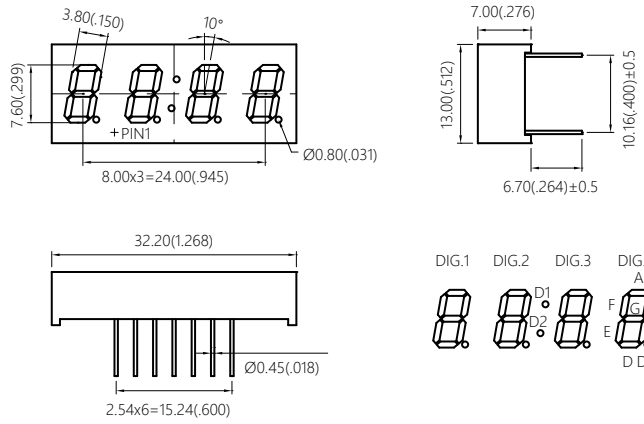
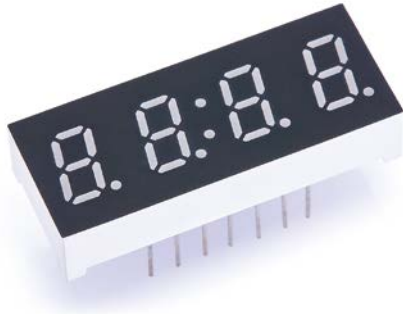


A-284CX-14

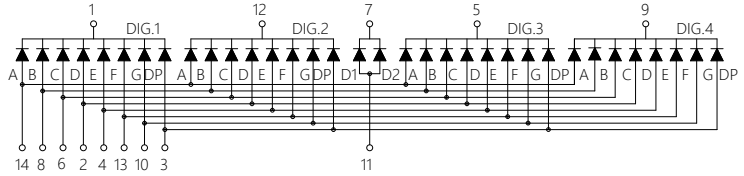


Unit : mm

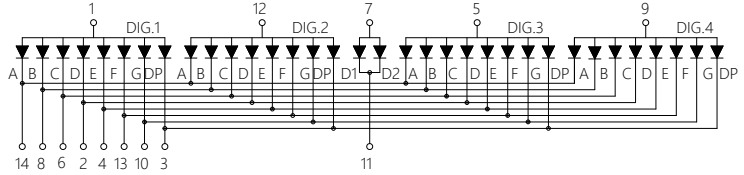
Common Cathode		Common Anode		Emitting Color	Wavelength λ_d (nm)/CIE (x,y)	Typ. Luminous Intensity I_v (mcd)/Seg.	Forward Current I_F (mA)
Part No	Ref. PN	Part No	Ref. PN				
C-284CG-14	DKC42G482G	A-284CG-14	DKA42G478G	Yellow Green	570	1.4	10
C-284CY-14	DKC42Y481G	A-284CY-14	DKA42Y477G	Yellow	587	1.2	10
C-284CE-14	DKC42E483G	A-284CE-14	DKA42E479G	Super Red	628	1.3	10
C-284CSR-14	DKC42SR480G	A-284CSR-14	DKA42SR476G	Hyper Red	640	4.2	10



C-3G4X

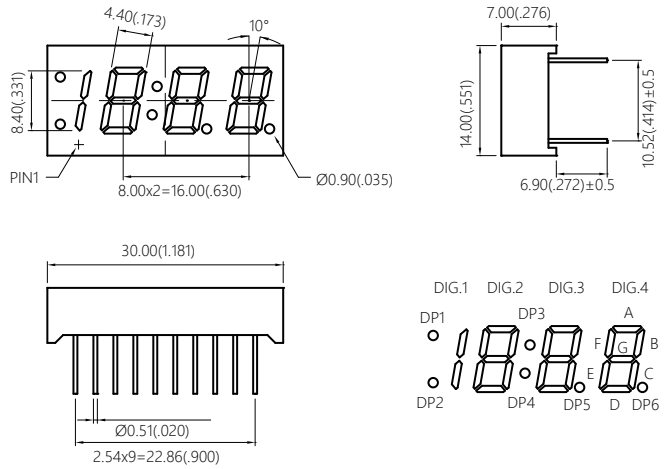
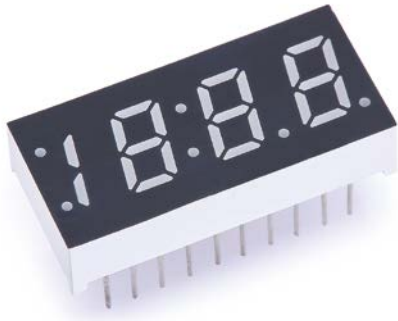


A-3G4X

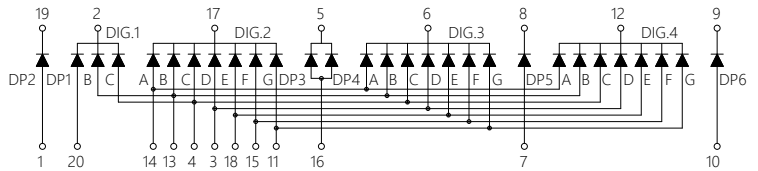


Unit : mm

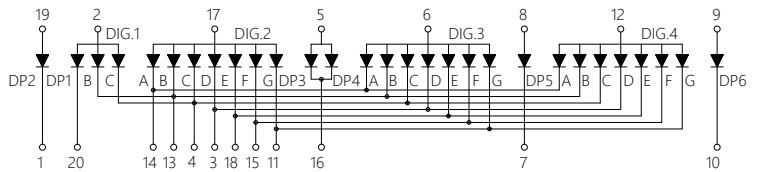
Common Cathode		Common Anode		Emitting Color	Wavelength λ_d (nm)/CIE (x,y)	Typ. Luminous Intensity I_v (mcd)/Seg.	Forward Current I_F (mA)
Part No	Ref. PN	Part No	Ref. PN				
C-3G4G	DKC43G474G	A-3G4G	DKA43G470G	Yellow Green	570	1.4	10
C-3G4Y	DKC43Y473G	A-3G4Y	DKA43Y469G	Yellow	587	1.2	10
C-3G4E	DKC43E475G	A-3G4E	DKA43E471G	Super Red	628	1.3	10
C-3G4SR	DKC43SR472G	A-3G4SR	DKA43SR468G	Hyper Red	640	4.2	10



C-334CX-20

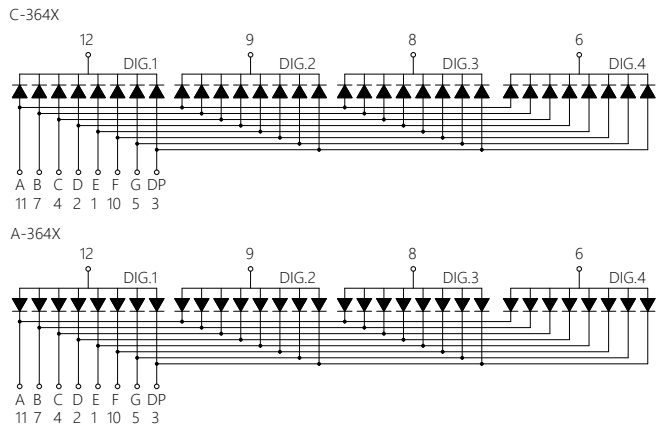
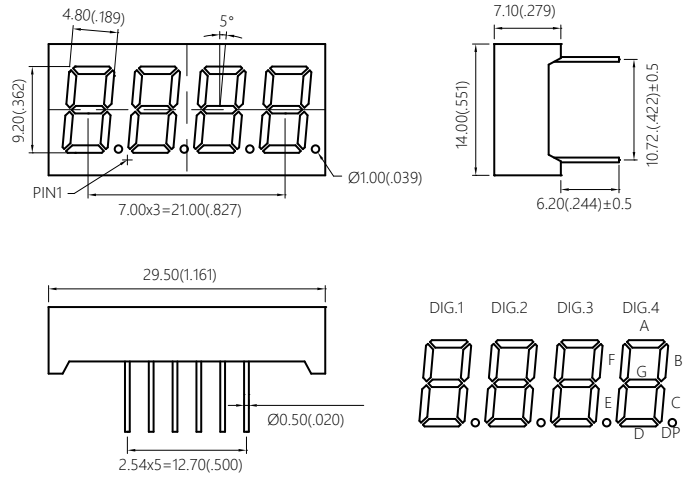
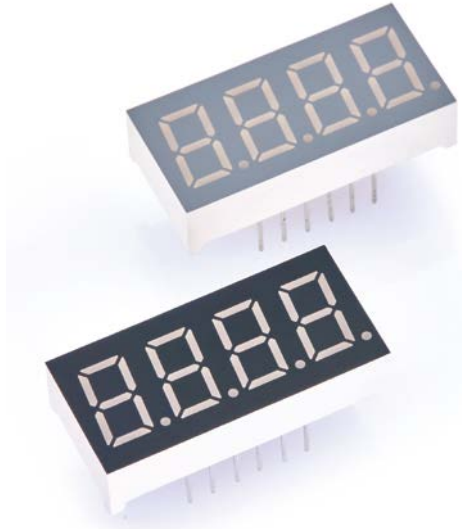


A-334CX-20



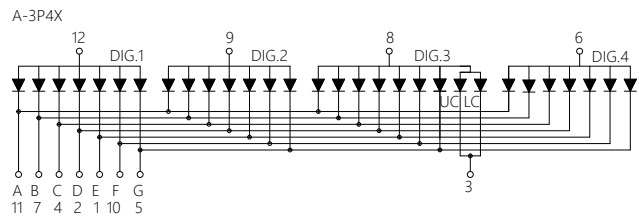
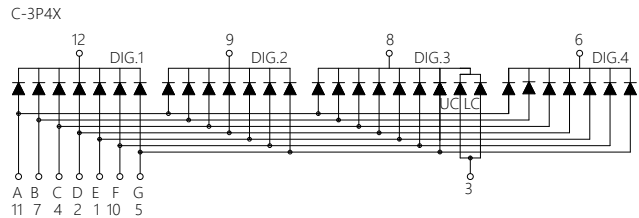
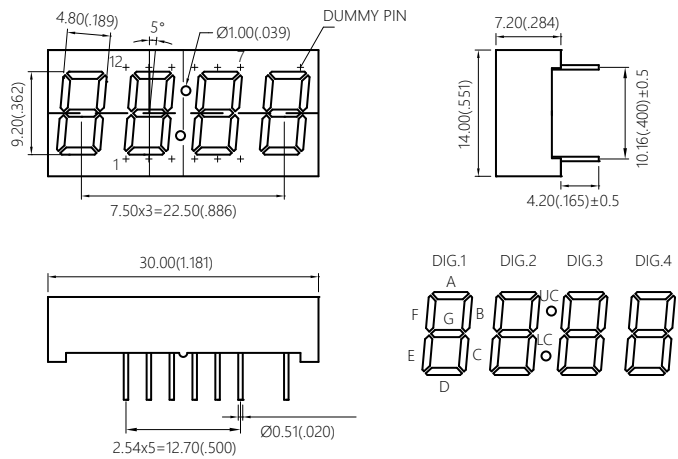
Unit : mm

Common Cathode		Common Anode		Emitting Color	Wavelength λ _d (nm)/CIE (x,y)	Typ. Luminous Intensity I _v (mcd)/Seg.	Forward Current I _F (mA)
Part No	Ref. PN	Part No	Ref. PN				
C-334CG-20	DKC43G466G	A-334CG-20	DKA43G462G	Yellow Green	570	1.5	10
C-334CY-20	DKC43Y465G	A-334CY-20	DKA43Y461G	Yellow	587	1.3	10
C-334CE-20	DKC43E467G	A-334CE-20	DKA43E463G	Super Red	628	1.4	10
C-334CSR-20	DKC43SR464G	A-334CSR-20	DKA43SR460G	Hyper Red	640	4.4	10



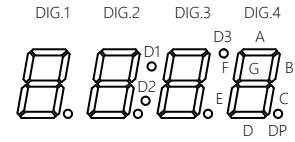
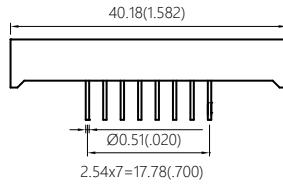
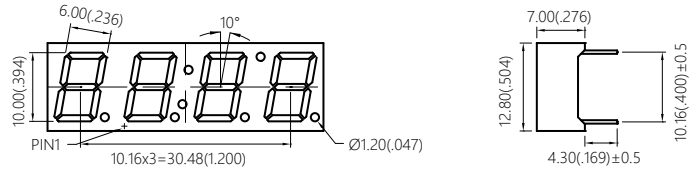
Unit : mm

Common Cathode		Common Anode		Emitting Color	Wavelength λ_d (nm)/CIE (x.y)	Typ. Luminous Intensity I_v (mcd)/Seg.	Forward Current I_F (mA)
Part No	Ref. PN	Part No	Ref. PN				
C-364UB	DKC43UB455G	A-364UB	DKA43UB450G	Blue	465	9	10
C-364G	DKC43G458G	A-364G	DKA43G453G	Yellow Green	570	1.6	10
C-364Y	DKC43Y457G	A-364Y	DKA43Y452G	Yellow	587	1.4	10
C-364E	DKC43E459G	A-364E	DKA43E454G	Super Red	628	1.5	10
C-364SR	DKC43SR456G	A-364SR	DKA43SR451G	Hyper Red	640	4.6	10

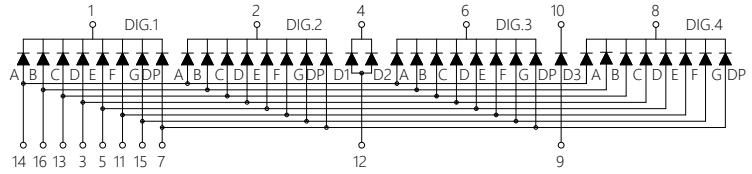


Unit : mm

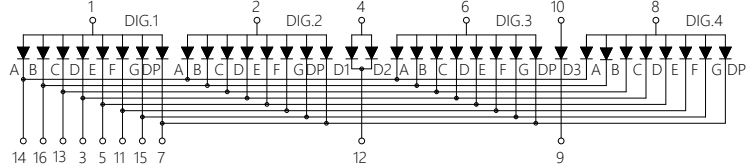
Common Cathode		Common Anode		Emitting Color	Wavelength λ_d (nm)/CIE (x,y)	Typ. Luminous Intensity I_v (mcd)/Seg.	Forward Current I_F (mA)
Part No	Ref. PN	Part No	Ref. PN				
C-3P4UB	DKC43UB435G	A-3P4UB	DKA43UB430G	Blue	465	9	10
C-3P4G	DKC43G438G	A-3P4G	DKA43G433G	Yellow Green	570	1.6	10
C-3P4Y	DKC43Y437G	A-3P4Y	DKA43Y432G	Yellow	587	1.4	10
C-3P4E	DKC43E439G	A-3P4E	DKA43E434G	Super Red	628	1.5	10
C-3P4SR	DKC43SR436G	A-3P4SR	DKA43SR431G	Hyper Red	640	4.6	10



C-394X

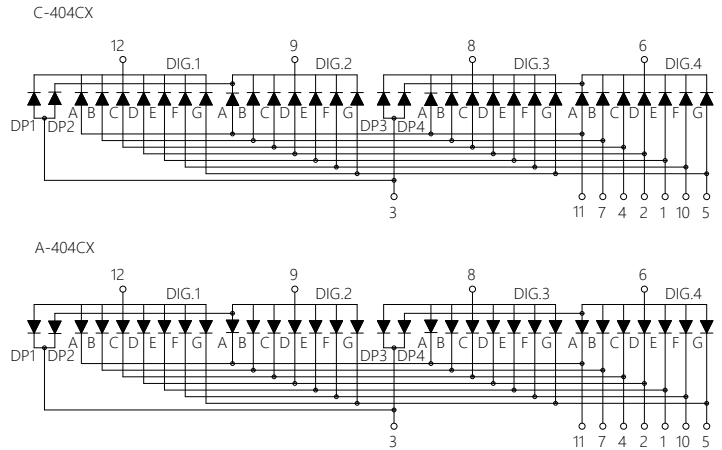
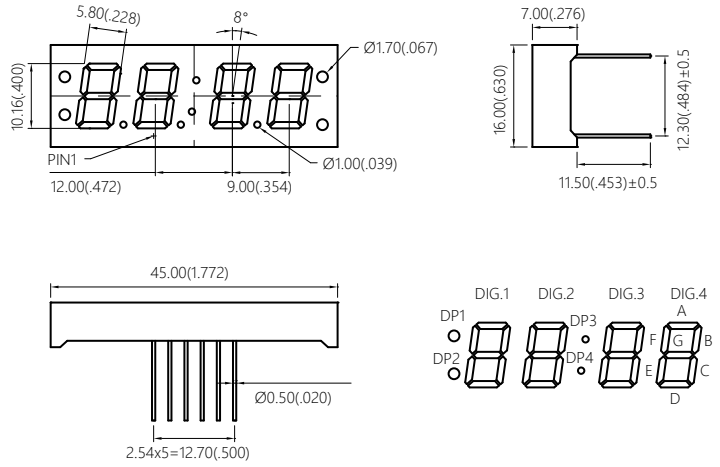


A-394X



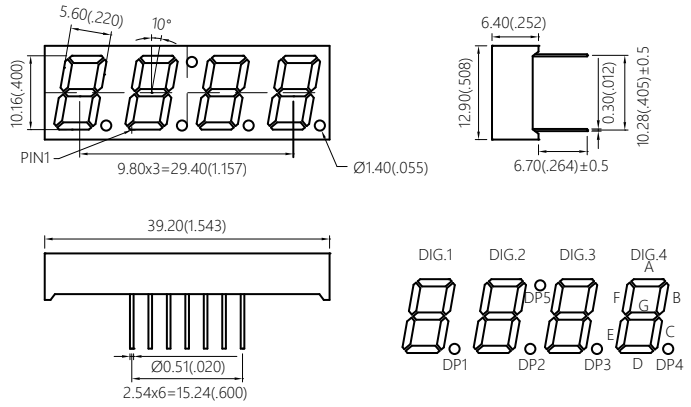
Unit : mm

Common Cathode		Common Anode		Emitting Color	Wavelength λ _d (nm)/CIE (x.y)	Typ. Luminous Intensity I _v (mcd)/Seg.	Forward Current I _F (mA)
Part No	Ref. PN	Part No	Ref. PN				
C-394UB	DKC43UB445G	A-394UB	DKA43UB440G	Blue	465	12	10
C-394G	DKC43G448G	A-394G	DKA43G443G	Yellow Green	570	1.7	10
C-394Y	DKC43Y447G	A-394Y	DKA43Y442G	Yellow	587	1.5	10
C-394E	DKC43E449G	A-394E	DKA43E444G	Super Red	628	1.6	10
C-394SR	DKC43SR446G	A-394SR	DKA43SR441G	Hyper Red	640	4.8	10

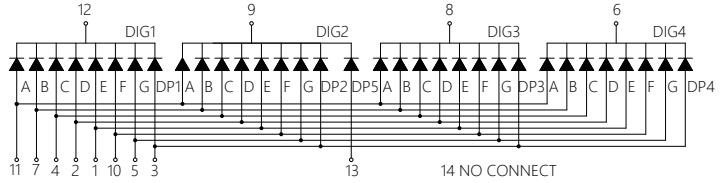


Unit : mm

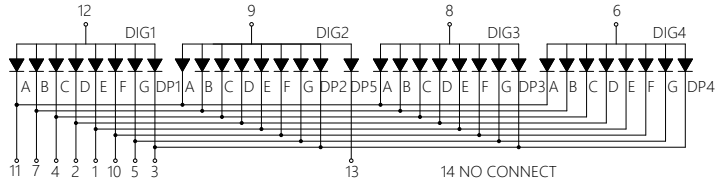
Common Cathode		Common Anode		Emitting Color	Wavelength λ _d (nm)/CIE (x,y)	Typ. Luminous Intensity I _v (mcd)/Seg.	Forward Current I _F (mA)
Part No	Ref. PN	Part No	Ref. PN				
C-404CUB	DKC44UB425G	A-404CUB	DKA44UB420G	Blue	465	10	10
C-404CG	DKC44G428G	A-404CG	DKA44G423G	Yellow Green	570	1.7	10
C-404CY	DKC44Y427G	A-404CY	DKA44Y422G	Yellow	587	1.5	10
C-404CE	DKC44E429G	A-404CE	DKA44E424G	Super Red	628	1.6	10
C-404CSR	DKC44SR426G	A-404CSR	DKA44SR421G	Hyper Red	640	5	10



C-4A4X

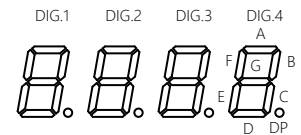
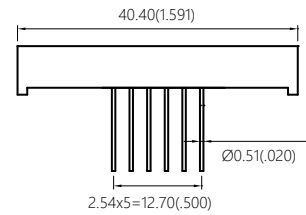
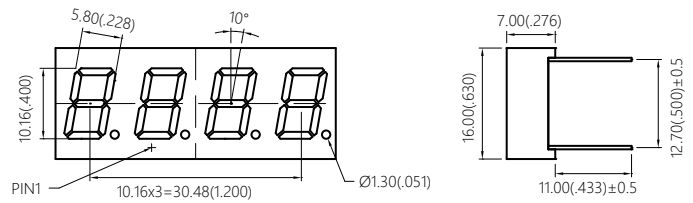
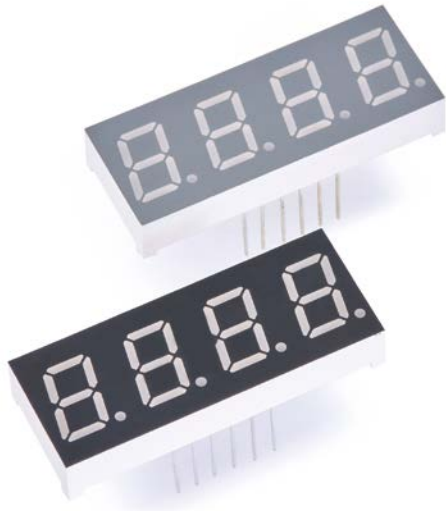


A-4A4X

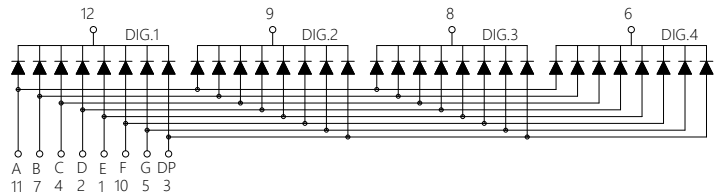


Unit : mm

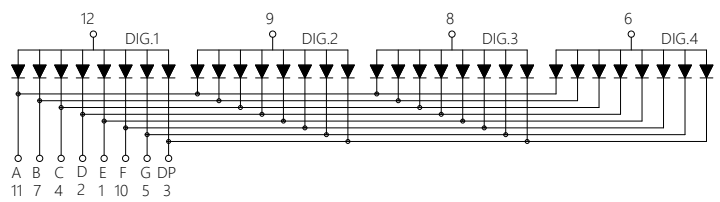
Common Cathode		Common Anode		Emitting Color	Wavelength λ_d (nm)/CIE (x,y)	Typ. Luminous Intensity I_v (mcd)/Seg.	Forward Current I_F (mA)
Part No	Ref. PN	Part No	Ref. PN				
C-4A4UB	DKC44UB415G	A-4A4UB	DKA44UB410G	Blue	465	10	10
C-4A4G	DKC44G418G	A-4A4G	DKA44G413G	Yellow Green	570	1.7	10
C-4A4Y	DKC44Y417G	A-4A4Y	DKA44Y412G	Yellow	587	1.5	10
C-4A4E	DKC44E419G	A-4A4E	DKA44E414G	Super Red	628	1.6	10
C-4A4SR	DKC44SR416G	A-4A4SR	DKA44SR411G	Hyper Red	640	5	10



C-4N4X

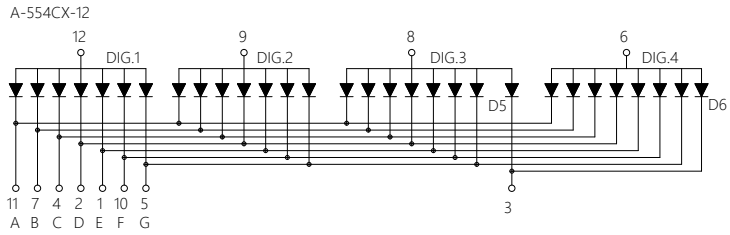
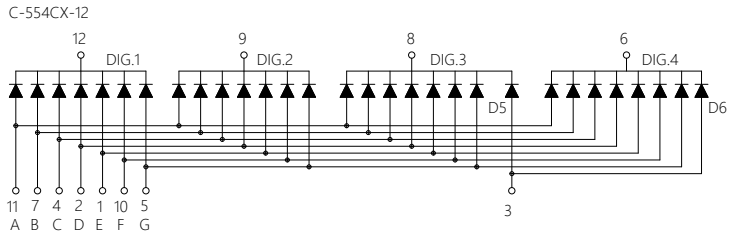
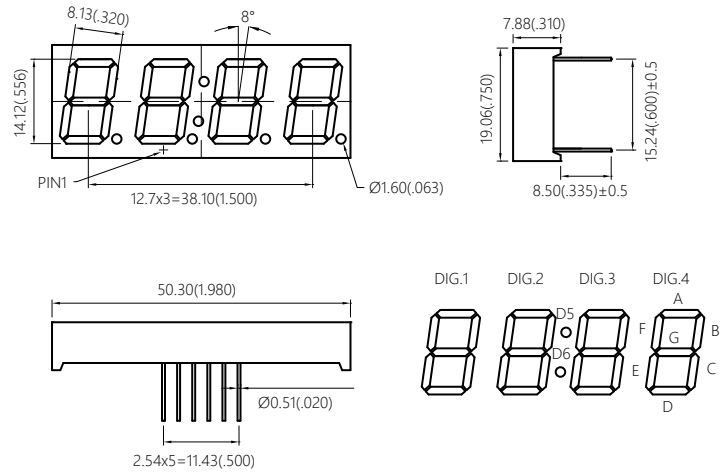


A-4N4X



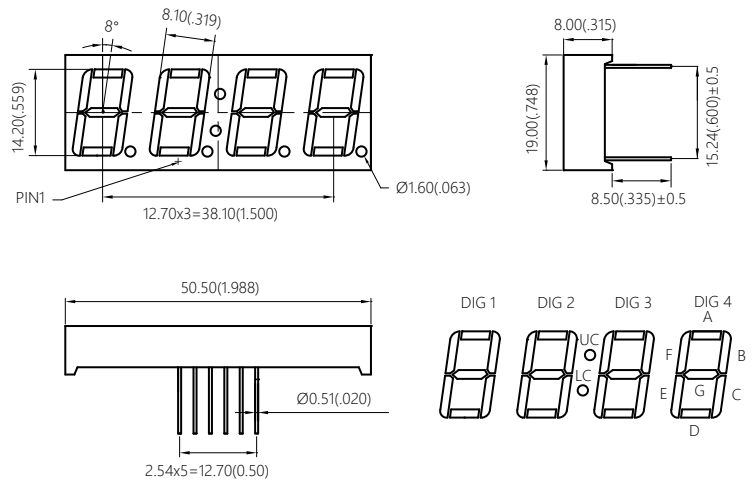
Unit : mm

Common Cathode		Common Anode		Emitting Color	Wavelength λ_d (nm)/CIE (x,y)	Typ. Luminous Intensity I_v (mcd)/Seg.	Forward Current I_F (mA)
Part No	Ref. PN	Part No	Ref. PN				
C-4N4UB	DKC44UB405G	A-4N4UB	DKA44UB400G	Blue	465	10	10
C-4N4G	DKC44G408G	A-4N4G	DKA44G403G	Yellow Green	570	1.7	10
C-4N4Y	DKC44Y407G	A-4N4Y	DKA44Y402G	Yellow	587	1.5	10
C-4N4E	DKC44E409G	A-4N4E	DKA44E404G	Super Red	628	1.6	10
C-4N4SR	DKC44SR406G	A-4N4SR	DKA44SR401G	Hyper Red	640	5	10

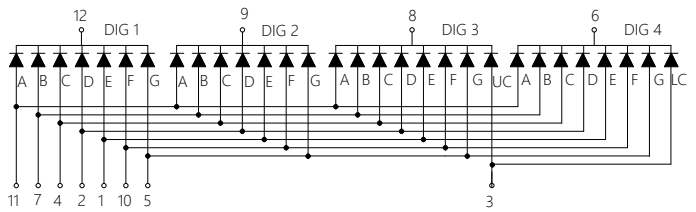


Unit : mm

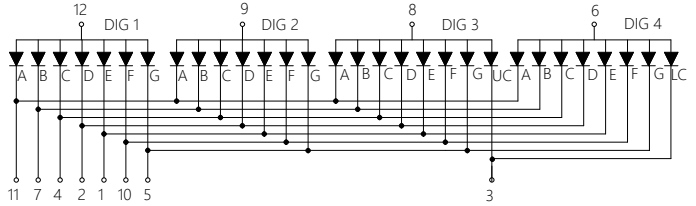
Common Cathode		Common Anode		Emitting Color	Wavelength λ_d (nm)/CIE (x.y)	Typ. Luminous Intensity I_v (mcd)/Seg.	Forward Current I_F (mA)
Part No	Ref. PN	Part No	Ref. PN				
C-554CG-12	DKC45G398G	A-554CG-12	DKA45G394G	Yellow Green	570	2.1	10
C-554CY-12	DKC45Y397G	A-554CY-12	DKA45Y393G	Yellow	587	1.9	10
C-554CE-12	DKC45E399G	A-554CE-12	DKA45E395G	Super Red	628	2	10
C-554CSR-12	DKC45SR396G	A-554CSR-12	DKA45SR392G	Hyper Red	640	12	10



C-5P4X

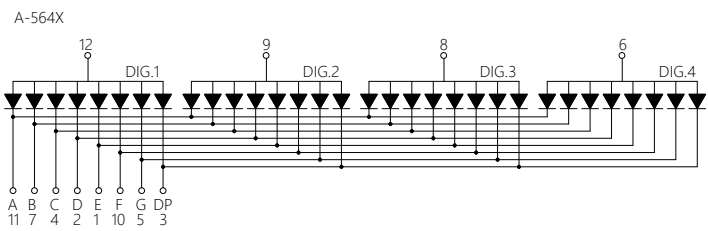
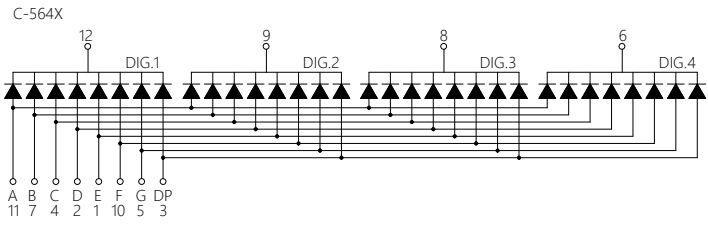
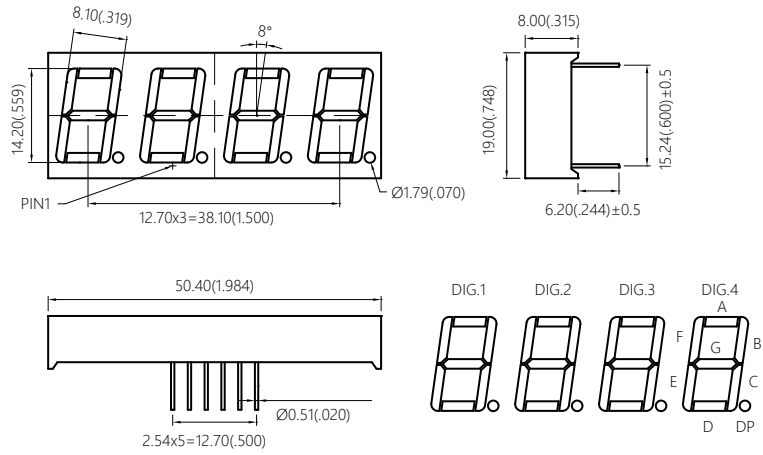


A-5P4X



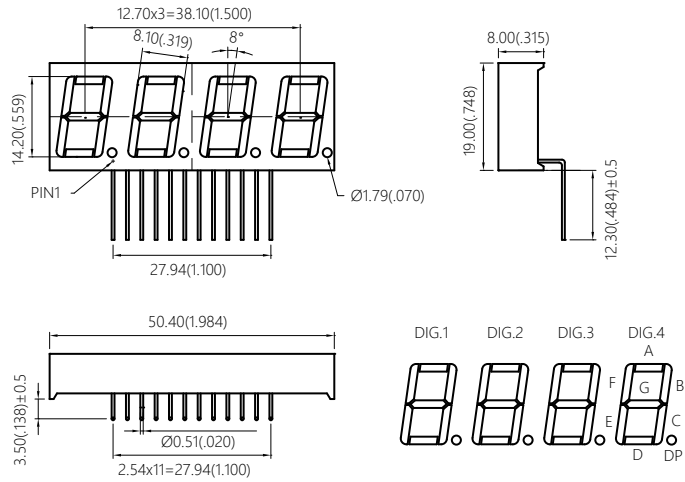
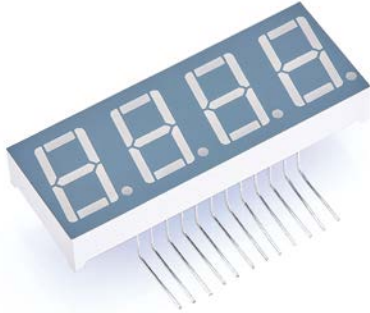
Unit : mm

Common Cathode		Common Anode		Emitting Color	Wavelength λ_d (nm)/CIE (x,y)	Typ. Luminous Intensity I_v (mcd)/Seg.	Forward Current I_F (mA)
Part No	Ref. PN	Part No	Ref. PN				
C-5P4G	DKC45G390G	A-5P4G	DKA45G386G	Yellow Green	570	2.1	10
C-5P4Y	DKC45Y389G	A-5P4Y	DKA45Y385G	Yellow	587	1.9	10
C-5P4E	DKC45E391G	A-5P4E	DKA45E387G	Super Red	628	2	10
C-5P4SR	DKC45SR388G	A-5P4SR	DKA45SR384G	Hyper Red	640	12	10

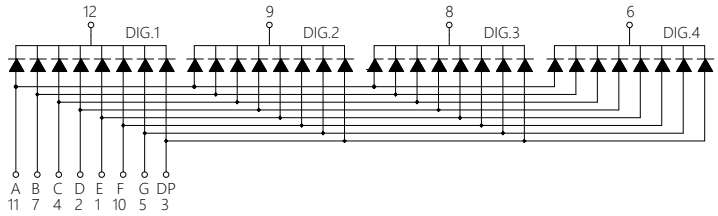


Unit : mm

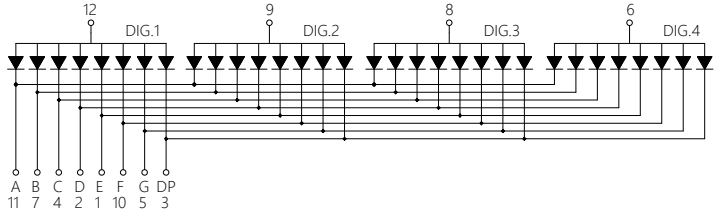
Common Cathode		Common Anode		Emitting Color	Wavelength λ_d (nm)/CIE (x.y)	Typ. Luminous Intensity I_v (mcd)/Seg.	Forward Current I_f (mA)
Part No	Ref. PN	Part No	Ref. PN				
C-564UB	DKC45UB379G	A-564UB	DKA45UB374G	Blue	465	18	10
C-564G	DKC45G382G	A-564G	DKA45G377G	Yellow Green	570	2.1	10
C-564Y	DKC45Y381G	A-564Y	DKA45Y376G	Yellow	587	1.9	10
C-564E	DKC45E383G	A-564E	DKA45E378G	Super Red	628	2	10
C-564SR	DKC45SR380G	A-564SR	DKA45SR375G	Hyper Red	640	12	10



C-574X-LF

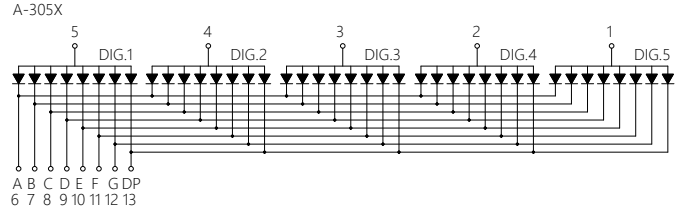
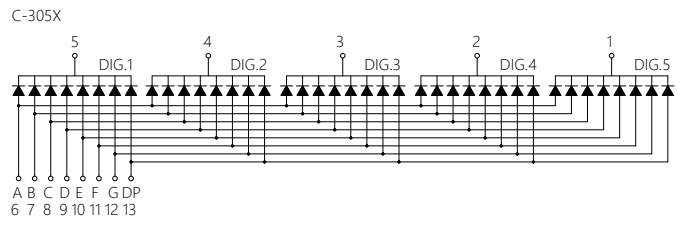
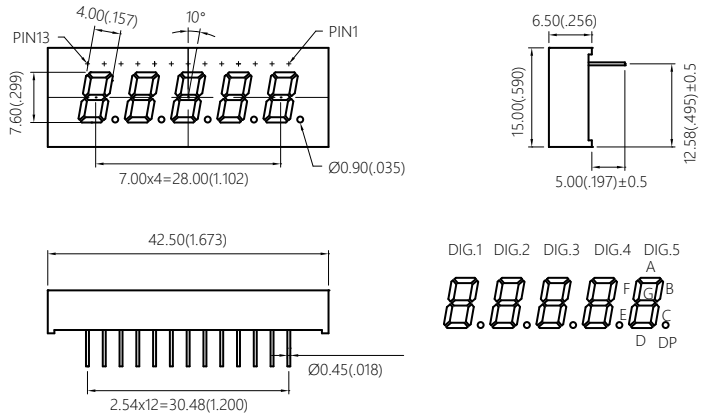


A-574X-LF



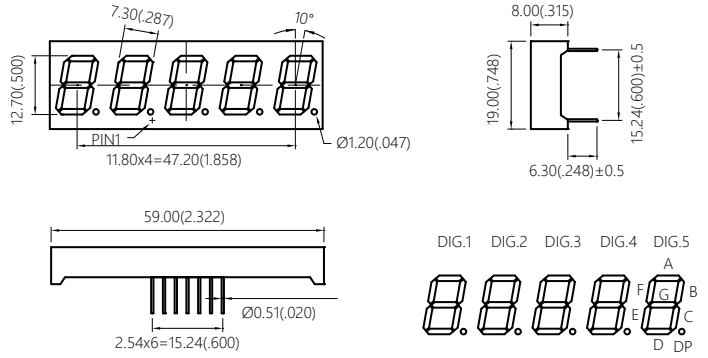
Unit : mm

Common Cathode		Common Anode		Emitting Color	Wavelength λ_d (nm)/CIE (x,y)	Typ. Luminous Intensity I_v (mcd)/Seg.	Forward Current I_F (mA)
Part No	Ref. PN	Part No	Ref. PN				
C-574G-LF	DKC45G372G	A-574G-LF	DKA45G368G	Yellow Green	570	2.1	10
C-574Y-LF	DKC45Y371G	A-574Y-LF	DKA45Y367G	Yellow	587	1.9	10
C-574E-LF	DKC45E373G	A-574E-LF	DKA45E369G	Super Red	628	2	10
C-574SR-LF	DKC45SR370G	A-574SR-LF	DKA45SR366G	Hyper Red	640	12	10

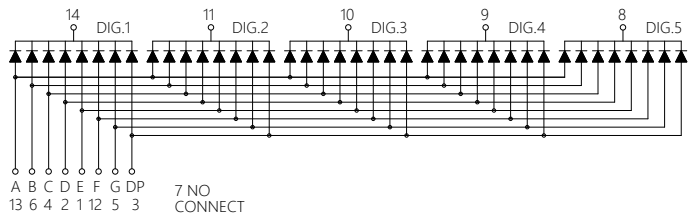


Unit : mm

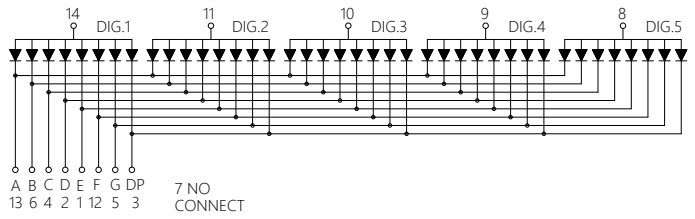
Common Cathode		Common Anode		Emitting Color	Wavelength λ _d (nm)/CIE (x.y)	Typ. Luminous Intensity I _v (mcd)/Seg.	Forward Current I _F (mA)
Part No	Ref. PN	Part No	Ref. PN				
C-305G	DKC53G364G	A-305G	DKA53G360G	Yellow Green	570	1.4	10
C-305Y	DKC53Y363G	A-305Y	DKA53Y359G	Yellow	587	1.2	10
C-305E	DKC53E365G	A-305E	DKA53E361G	Super Red	628	1.3	10
C-305SR	DKC53SR362G	A-305SR	DKA53SR358G	Hyper Red	640	4.2	10



C-505X

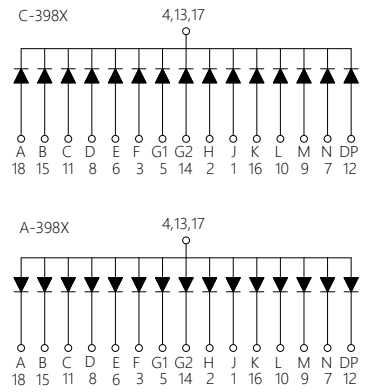
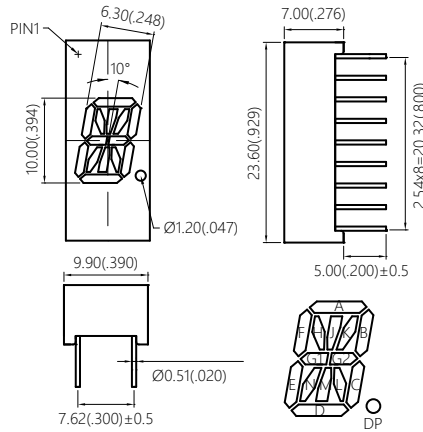
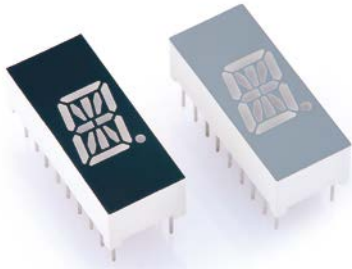


A-505X



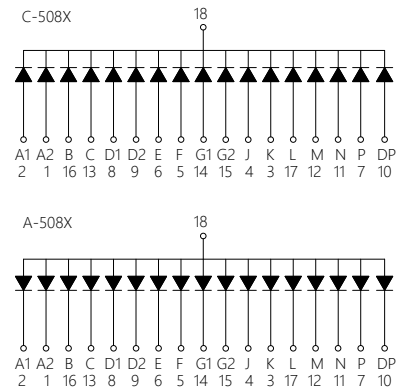
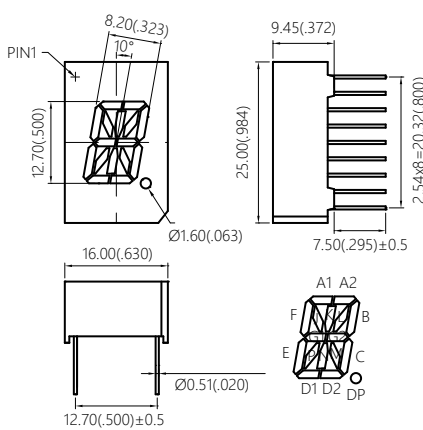
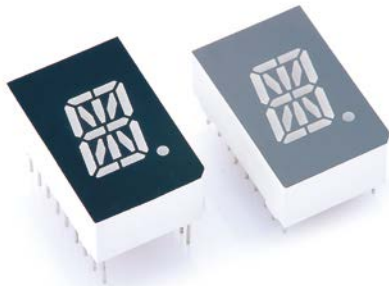
Unit : mm

Common Cathode		Common Anode		Emitting Color	Wavelength λ_d (nm)/CIE (x,y)	Typ. Luminous Intensity I_v (mcd)/Seg.	Forward Current I_F (mA)
Part No	Ref. PN	Part No	Ref. PN				
C-505G	DKC55G356G	A-505G	DKA55G352G	Yellow Green	570	1.9	10
C-505Y	DKC55Y355G	A-505Y	DKA55Y351G	Yellow	587	1.7	10
C-505E	DKC55E357G	A-505E	DKA55E353G	Super Red	628	1.8	10
C-505SR	DKC55SR354G	A-505SR	DKA55SR350G	Hyper Red	640	8	10



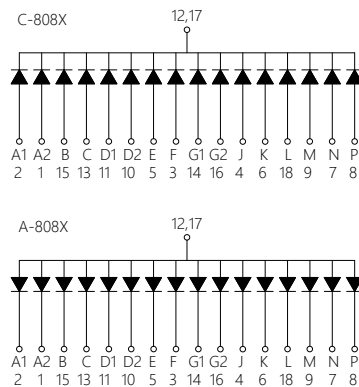
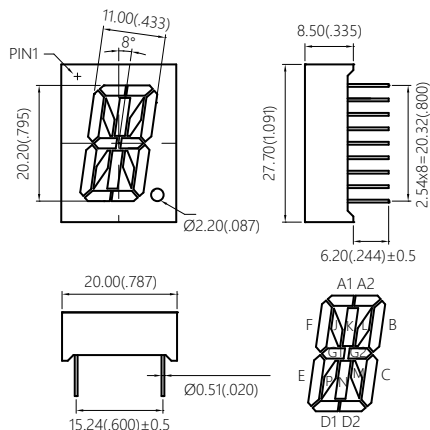
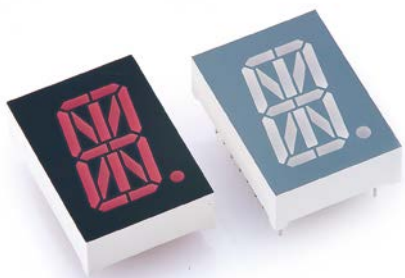
Unit : mm

Common Cathode		Common Anode		Emitting Color	Wavelength λ_d (nm)/CIE (x.y)	Typ. Luminous Intensity I_v (mcd)/Seg.	Forward Current I_F (mA)
Part No	Ref. PN	Part No	Ref. PN				
C-398UB	DKC13UB337G	A-398UB	DKA13UB332G	Blue	465	10	10
C-398G	DKC13G340G	A-398G	DKA13G335G	Yellow Green	570	1.7	10
C-398Y	DKC13Y339G	A-398Y	DKA13Y334G	Yellow	587	1.5	10
C-398E	DKC13E341G	A-398E	DKA13E336G	Super Red	628	1.6	10
C-398SR	DKC13SR338G	A-398SR	DKA13SR333G	Hyper Red	640	4.8	10



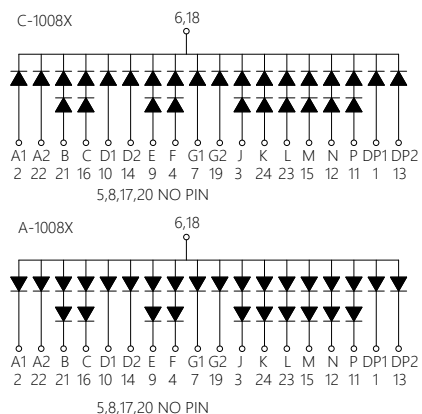
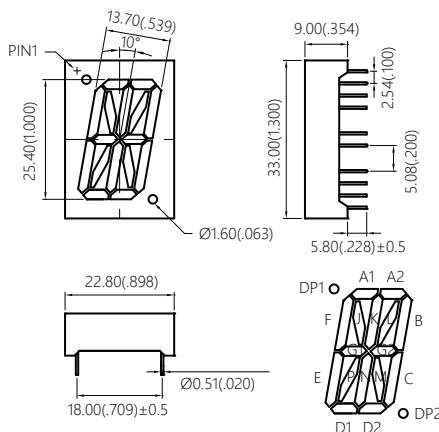
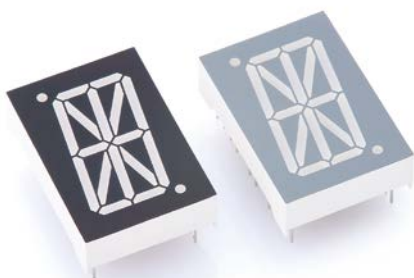
Unit : mm

Common Cathode		Common Anode		Emitting Color	Wavelength λ_d (nm)/CIE (x.y)	Typ. Luminous Intensity I_v (mcd)/Seg.	Forward Current I_F (mA)
Part No	Ref. PN	Part No	Ref. PN				
C-508G	DKC15G330G	A-508G	DKA15G326G	Yellow Green	570	1.9	10
C-508Y	DKC15Y329G	A-508Y	DKA15Y325G	Yellow	587	1.7	10
C-508E	DKC15E331G	A-508E	DKA15E327G	Super Red	628	1.8	10
C-508SR	DKC15SR328G	A-508SR	DKA15SR324G	Hyper Red	640	8	10



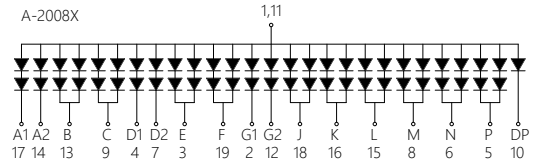
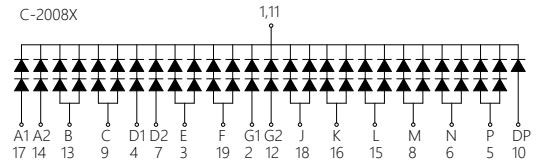
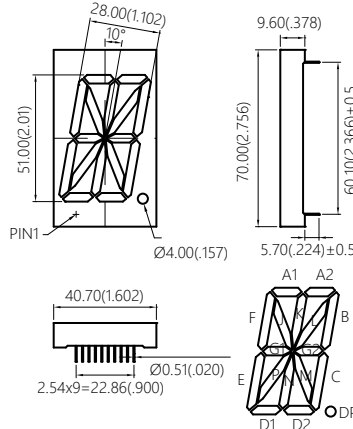
Unit : mm

Common Cathode		Common Anode		Emitting Color	Wavelength λ_d (nm)/CIE (x.y)	Typ. Luminous Intensity I_v (mcd)/Seg.	Forward Current I_F (mA)
Part No	Ref. PN	Part No	Ref. PN				
C-808UB	DKC18UB319G	A-808UB	DKA18UB314G	Blue	465	28	10
C-808G	DKC18G322G	A-808G	DKA18G317G	Yellow Green	570	2.6	10
C-808Y	DKC18Y321G	A-808Y	DKA18Y316G	Yellow	587	2.4	10
C-808E	DKC18E323G	A-808E	DKA18E318G	Super Red	628	2.5	10
C-808SR	DKC18SR320G	A-808SR	DKA18SR315G	Hyper Red	640	20	10



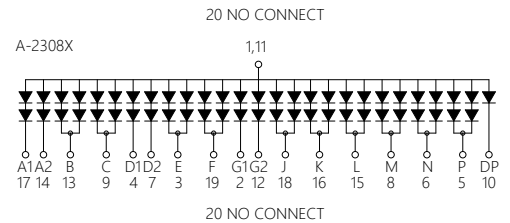
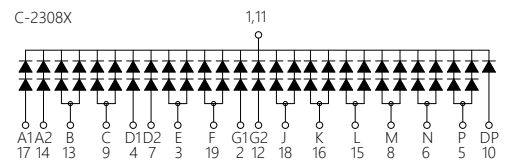
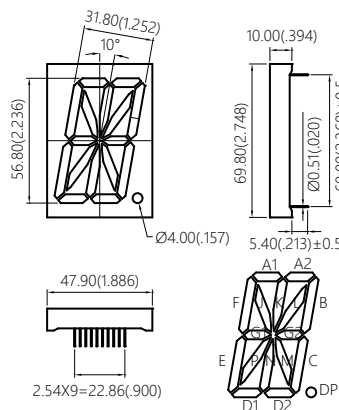
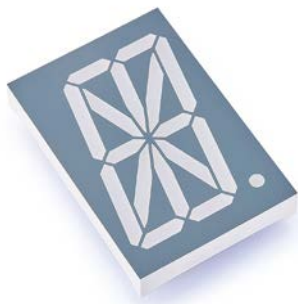
Unit : mm

Common Cathode		Common Anode		Emitting Color	Wavelength λ_d (nm)/CIE (x.y)	Typ. Luminous Intensity I_v (mcd)/Seg.	Forward Current I_F (mA)
Part No	Ref. PN	Part No	Ref. PN				
C-1008G	DKC1AG312G	A-1008G	DKA1AG307G	Yellow Green	570	3.4	10
C-1008Y	DKC1AY311G	A-1008Y	DKA1AY306G	Yellow	587	3	10
C-1008E	DKC1AE313G	A-1008E	DKA1AE308G	Super Red	628	3.2	10
C-1008SR	DKC1ASR310G	A-1008SR	DKA1ASR305G	Hyper Red	640	28	10
C-1008NDUW	DKC1AUW309G	A-1008UW	DKA1AUW304G	White	(0.29, 0.30)	70	10



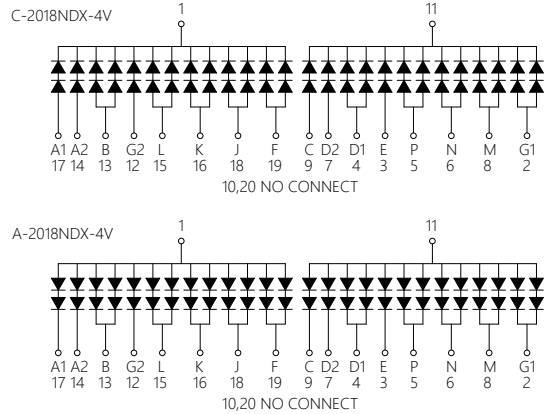
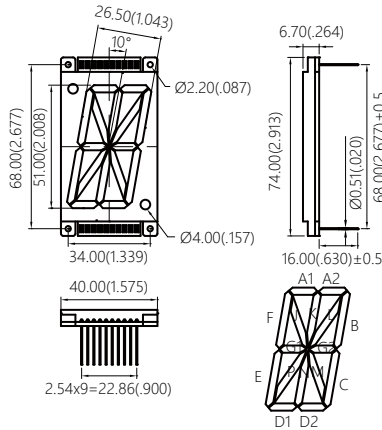
Unit : mm

Common Cathode		Common Anode		Emitting Color	Wavelength λ_d (nm)/CIE (x.y)	Typ. Luminous Intensity I_v (mcd)/Seg.	Forward Current I_F (mA)
Part No	Ref. PN	Part No	Ref. PN				
C-2008G	DKC1AG302G	A-2008G	DKA1AG298G	Yellow Green	570	4.8	10
C-2008Y	DKC1AY301G	A-2008Y	DKA1AY297G	Yellow	587	4.4	10
C-2008E	DKC1AE303G	A-2008E	DKA1AE299G	Super Red	628	4.6	10
C-2008SR	DKC1ASR300G	A-2008SR	DKA1ASR296G	Hyper Red	640	44	10



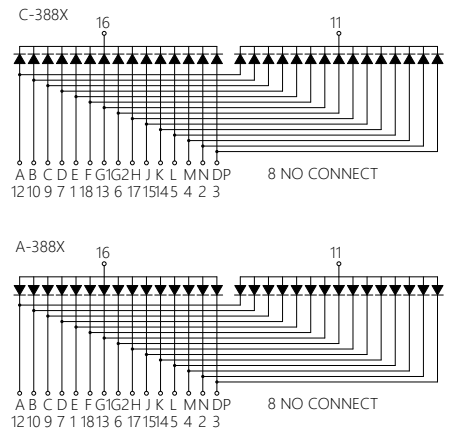
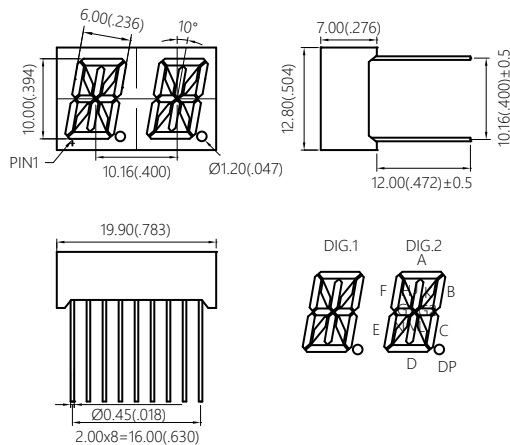
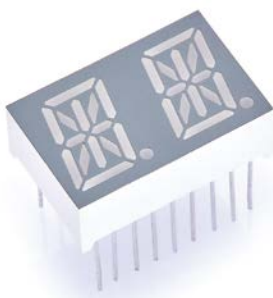
Unit : mm

Common Cathode		Common Anode		Emitting Color	Wavelength λ_d (nm)/CIE (x.y)	Typ. Luminous Intensity I_v (mcd)/Seg.	Forward Current I_F (mA)
Part No	Ref. PN	Part No	Ref. PN				
C-2308G	DKC1AG284G	A-2308G	DKA1AG280G	Yellow Green	570	5.6	10
C-2308Y	DKC1AY283G	A-2308Y	DKA1AY279G	Yellow	587	5.2	10
C-2308E	DKC1AE285G	A-2308E	DKA1AE281G	Super Red	628	5.4	10
C-2308SR	DKC1ASR282G	A-2308SR	DKA1ASR278G	Hyper Red	640	48	10



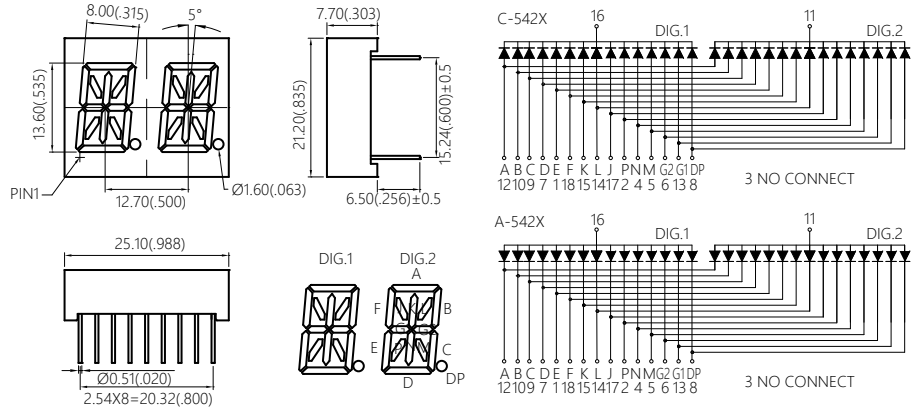
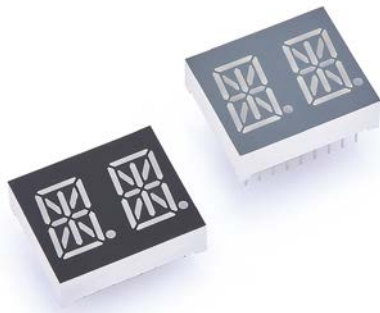
Unit : mm

Common Cathode		Common Anode		Emitting Color	Wavelength λ_d (nm)/CIE (x,y)	Typ. Luminous Intensity I_v (mcd)/Seg.	Forward Current I_f (mA)
Part No	Ref. PN	Part No	Ref. PN				
C-2018NDG-4V	DKC1AG294G	A-2018NDG-4V	DKA1AG289G	Yellow Green	570	4.8	10
C-2018NDY-4V	DKC1AY293G	A-2018NDY-4V	DKA1AY288G	Yellow	587	4.4	10
C-2018NDE-4V	DKC1AE295G	A-2018NDE-4V	DKA1AE290G	Super Red	628	4.6	10
C-2018NDSR-4V	DKC1ASR292G	A-2018NDSR-4V	DKA1ASR287G	Hyper Red	640	44	10
C-2018NDUW-4V	DKC1AUW291G	A-2018NDUW-4V	DKA1AUW286G	White	(0.29, 0.30)	120	10



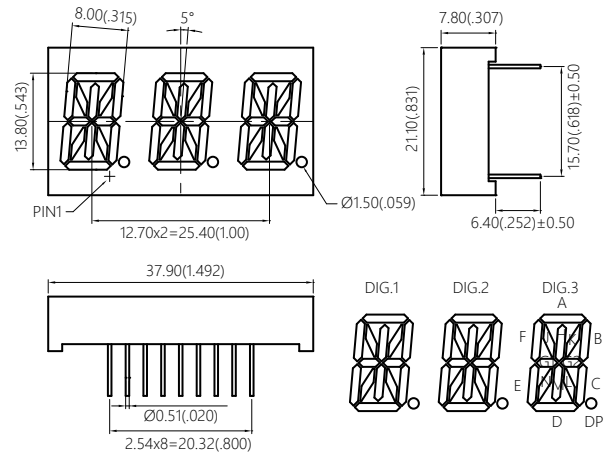
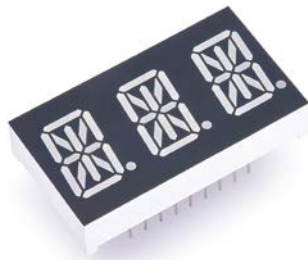
Unit : mm

Common Cathode		Common Anode		Emitting Color	Wavelength λ_d (nm)/CIE (x,y)	Typ. Luminous Intensity I_v (mcd)/Seg.	Forward Current I_f (mA)
Part No	Ref. PN	Part No	Ref. PN				
C-388G	DKC23G276G	A-388G	DKA23G272G	Yellow Green	570	1.7	10
C-388Y	DKC23Y275G	A-388Y	DKA23Y271G	Yellow	587	1.5	10
C-388E	DKC23E277G	A-388E	DKA23E273G	Super Red	628	1.6	10
C-388SR	DKC23SR274G	A-388SR	DKA23SR270G	Hyper Red	640	4.8	10



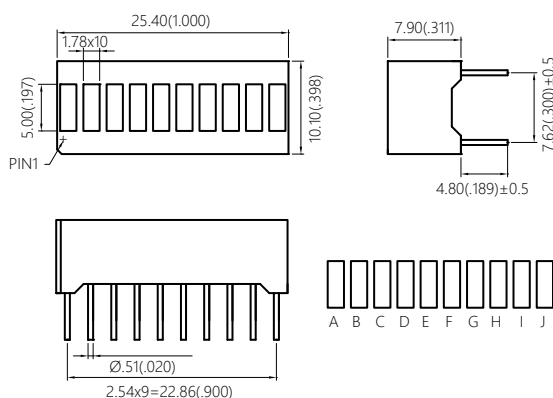
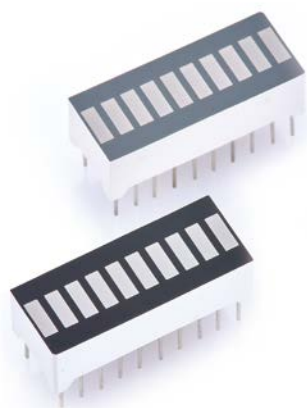
Unit : mm

Common Cathode		Common Anode		Emitting Color	Wavelength λ_d (nm)/CIE (x,y)	Typ. Luminous Intensity I_v (mcd)/Seg.	Forward Current I_f (mA)
Part No	Ref. PN	Part No	Ref. PN				
C-542G	DKC25G268G	A-542G	DKA25G264G	Yellow Green	570	2.2	10
C-542Y	DKC25Y267G	A-542Y	DKA25Y263G	Yellow	587	2	10
C-542E	DKC25E269G	A-542E	DKA25E265G	Super Red	628	2.1	10
C-542SR	DKC25SR266G	A-542SR	DKA25SR262G	Hyper Red	640	10	10

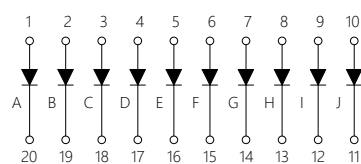


Unit : mm

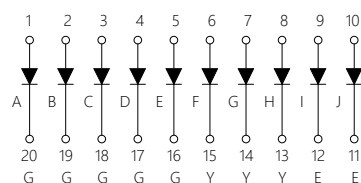
Common Cathode		Common Anode		Emitting Color	Wavelength λ_d (nm)/CIE (x,y)	Typ. Luminous Intensity I_v (mcd)/Seg.	Forward Current I_f (mA)
Part No	Ref. PN	Part No	Ref. PN				
C-5B3G	DKC35G260G	A-5B3G	DKA35G256G	Yellow Green	570	2.2	10
C-5B3Y	DKC35Y259G	A-5B3Y	DKA35Y255G	Yellow	587	2	10
C-5B3E	DKC35E261G	A-5B3E	DKA35E257G	Super Red	628	2.1	10
C-5B3SR	DKC35SR258G	A-5B3SR	DKA35SR254G	Hyper Red	640	10	10



B-1000X

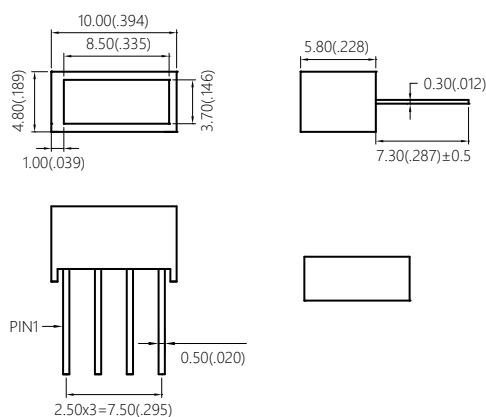


B-1000M(SG3Y2E)

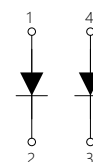


Unit : mm

Part No	Ref. PN	Emitting Color	Wavelength λ_d (nm)/CIE (x.y)	Typ. Luminous Intensity I_v (mcd)/Seg.	Forward Current I_F (mA)
B-1000UB	BK010UB249G	Blue	465	15	10
B-1000G	BK010G252G	Yellow Green	570	2	10
B-1000Y	BK010Y251G	Yellow	587	1.8	10
B-1000E	BK010E253G	Super Red	628	1.9	10
B-1000SR	BK010SR250G	Hyper Red	640	10	10

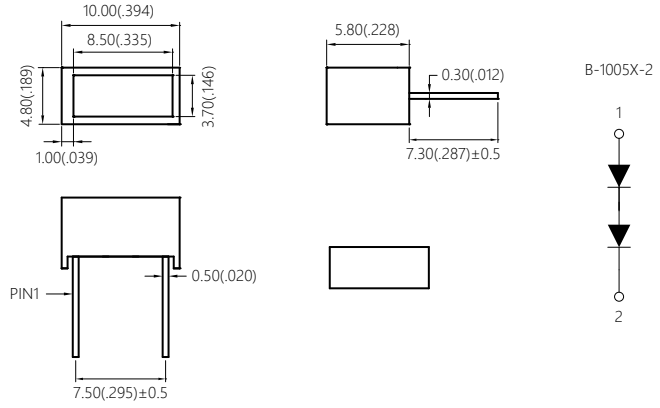


B-1005X-3V



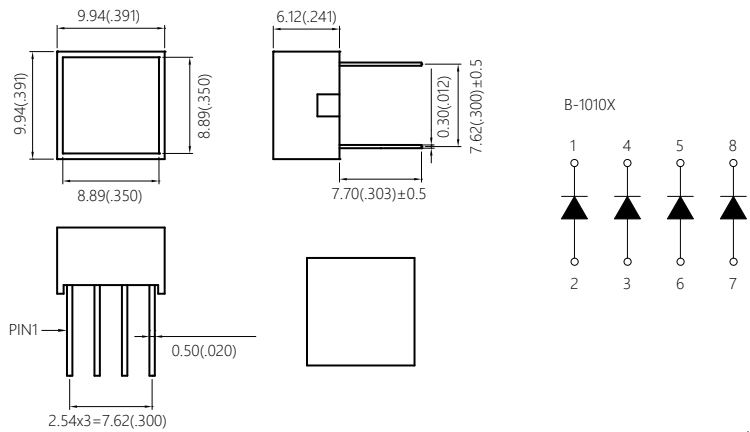
Unit : mm

Part No	Ref. PN	Emitting Color	Wavelength λ_d (nm)/CIE (x.y)	Typ. Luminous Intensity I_v (mcd)/Seg.	Forward Current I_F (mA)
B-1005G-3V	BK010G243G	Yellow Green	570	3.4	10
B-1005Y-3V	BK010Y242G	Yellow	587	3	10
B-1005E-3V	BK010E244G	Super Red	628	3.2	10
B-1005SR-3V	BK010SR241G	Hyper Red	640	7	10



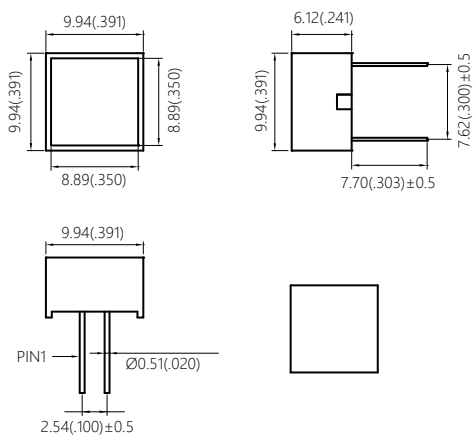
Unit : mm

Part No	Ref. PN	Emitting Color	Wavelength λ_d (nm)/CIE (x.y)	Typ. Luminous Intensity I_v (mcd)/Seg.	Forward Current I_F (mA)
B-1005G-2	BK010G239G	Yellow Green	570	4	10
B-1005Y-2	BK010Y238G	Yellow	587	3.6	10
B-1005E-2	BK010E240G	Super Red	628	3.8	10
B-1005SR-2	BK010SR237G	Hyper Red	640	8	10

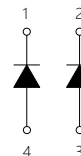


Unit : mm

Part No	Ref. PN	Emitting Color	Wavelength λ_d (nm)/CIE (x.y)	Typ. Luminous Intensity I_v (mcd)/Seg.	Forward Current I_F (mA)
B-1010G	BK010G235G	Yellow Green	570	5	10
B-1010Y	BK010Y234G	Yellow	587	4.6	10
B-1010E	BK010E236G	Super Red	628	4.8	10
B-1010SR	BK010SR233G	Hyper Red	640	12	10

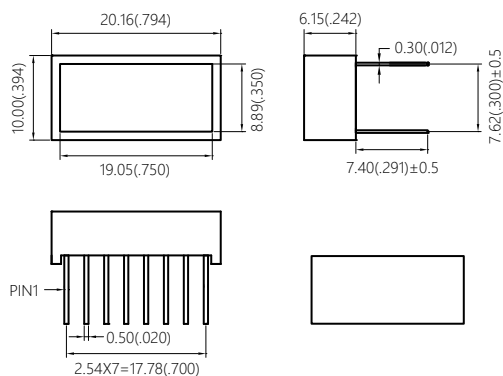
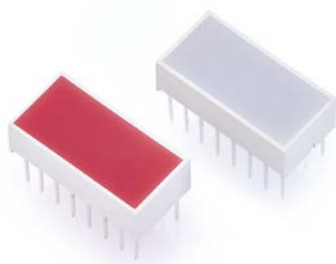


B-1011X

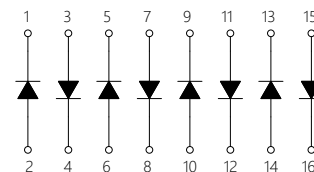


Unit : mm

Part No	Ref. PN	Emitting Color	Wavelength λ_d (nm)/CIE (x,y)	Typ. Luminous Intensity I_v (mcd)/Seg.	Forward Current I_F (mA)
B-1011UB	BK010UB228G	Blue	465	12	10
B-1011G	BK010G231G	Yellow Green	570	4	10
B-1011Y	BK010Y230G	Yellow	587	3.6	10
B-1011E	BK010E232G	Super Red	628	3.8	10
B-1011SR	BK010SR229G	Hyper Red	640	8	10
B-1011UW	BK010UW227G	White	(0.29, 0.30)	25	10

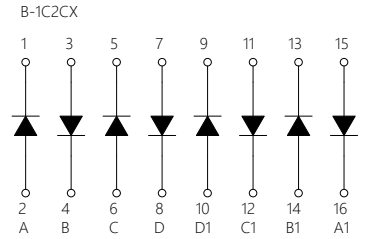
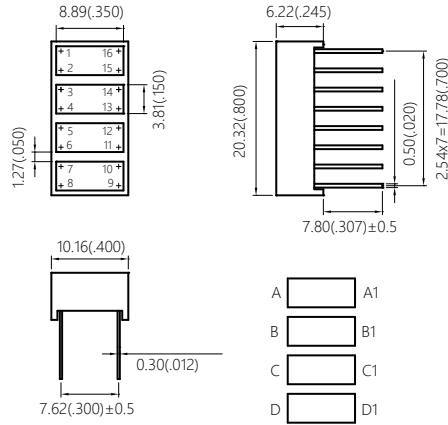
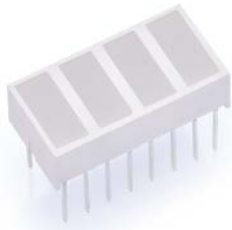


B-1020X



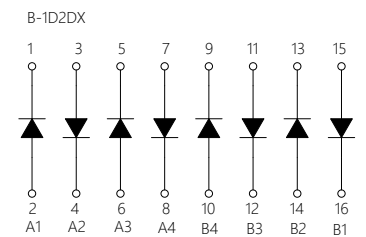
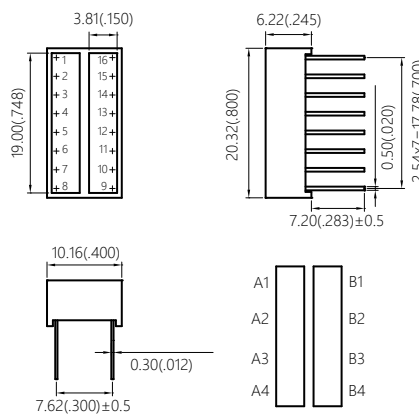
Unit : mm

Part No	Ref. PN	Emitting Color	Wavelength λ_d (nm)/CIE (x,y)	Typ. Luminous Intensity I_v (mcd)/Seg.	Forward Current I_F (mA)
B-1020G	BK010G225G	Yellow Green	570	10	10
B-1020Y	BK010Y224G	Yellow	587	8	10
B-1020E	BK010E226G	Super Red	628	9	10
B-1020SR	BK010SR223G	Hyper Red	640	20	10



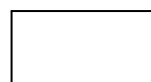
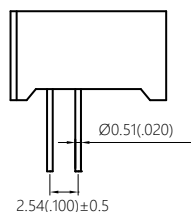
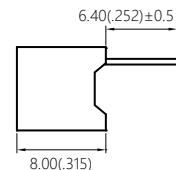
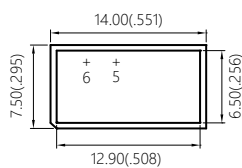
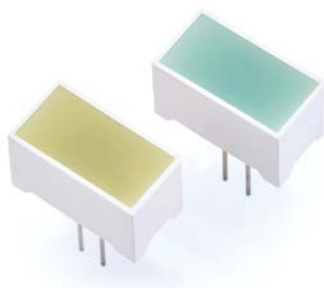
Unit : mm

Part No	Ref. PN	Emitting Color	Wavelength λ_d (nm)/CIE (x.y)	Typ. Luminous Intensity I_v (mcd)/Seg.	Forward Current I_F (mA)
B-1C2CG	BK010G221G	Yellow Green	570	9	10
B-1C2CY	BK010Y220G	Yellow	587	8.5	10
B-1C2CE	BK010E222G	Super Red	628	8.8	10
B-1C2CSR	BK010SR219G	Hyper Red	640	18	10

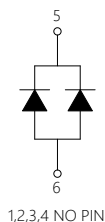


Unit : mm

Part No	Ref. PN	Emitting Color	Wavelength λ_d (nm)/CIE (x.y)	Typ. Luminous Intensity I_v (mcd)/Seg.	Forward Current I_F (mA)
B-1D2DG	BK010G217G	Yellow Green	570	10	10
B-1D2DY	BK010Y216G	Yellow	587	8	10
B-1D2DE	BK010E218G	Super Red	628	9	10
B-1D2DSR	BK010SR215G	Hyper Red	640	20	10

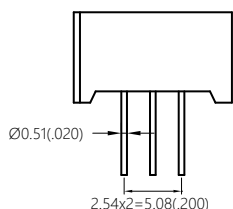
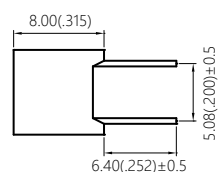
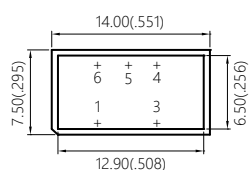
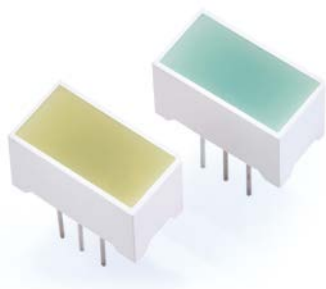


B-1408X-2

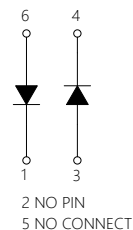


Unit : mm

Part No	Ref. PN	Emitting Color	Wavelength λ_d (nm)/CIE (x.y)	Typ. Luminous Intensity I_v (mcd)/Seg.	Forward Current I_f (mA)
B-1408UB-2	BK010UB210G	Blue	465	12	10
B-1408G-2	BK010G213G	Yellow Green	570	3.5	10
B-1408Y-2	BK010Y212G	Yellow	587	3.3	10
B-1408E-2	BK010E214G	Super Red	628	3.4	10
B-1408SR-2	BK010SR211G	Hyper Red	640	8	10

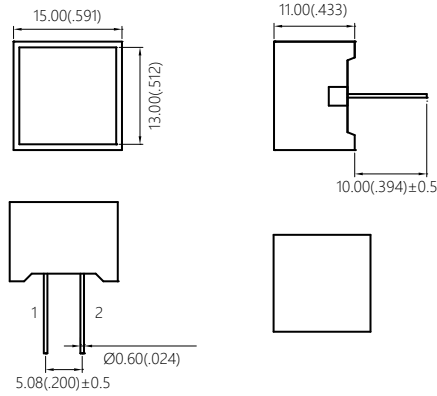
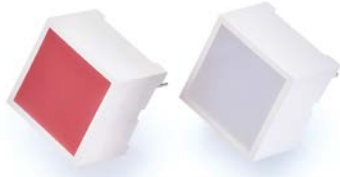


B-1408X

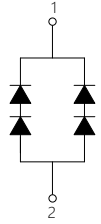


Unit : mm

Part No	Ref. PN	Emitting Color	Wavelength λ_d (nm)/CIE (x.y)	Typ. Luminous Intensity I_v (mcd)/Seg.	Forward Current I_f (mA)
B-1408G	BK010G208G	Yellow Green	570	3.5	10
B-1408Y	BK010Y207G	Yellow	587	3.3	10
B-1408E	BK010E209G	Super Red	628	3.4	10
B-1408SR	BK010SR206G	Hyper Red	640	8	10

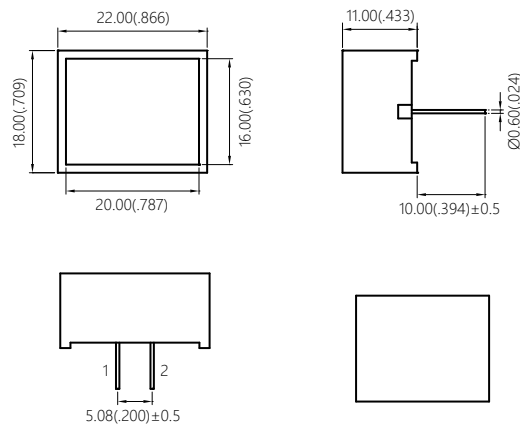


B-1504X

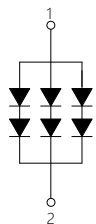


Unit : mm

Part No	Ref. PN	Emitting Color	Wavelength λ_d (nm)/CIE (x.y)	Typ. Luminous Intensity I_v (mcd)/Seg.	Forward Current I_F (mA)
B-1504UB	BK010UB201G	Blue	465	28	10
B-1504G	BK010G204G	Yellow Green	570	10	10
B-1504Y	BK010Y203G	Yellow	587	8	10
B-1504E	BK010E205G	Super Red	628	9	10
B-1504SR	BK010SR202G	Hyper Red	640	20	10

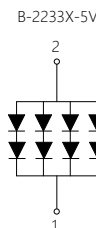
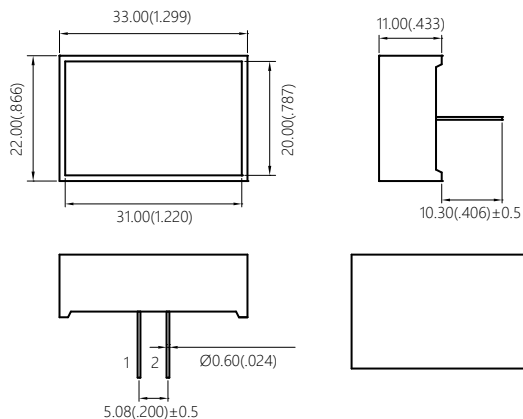


B-1822X



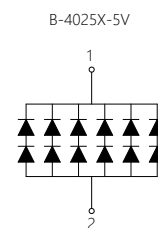
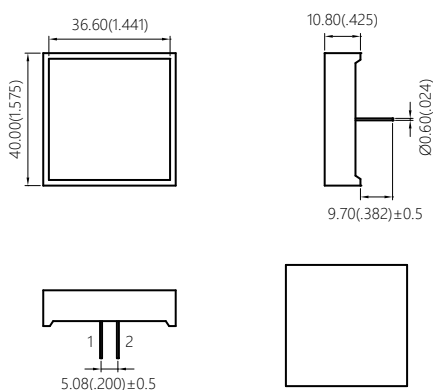
Unit : mm

Part No	Ref. PN	Emitting Color	Wavelength λ_d (nm)/CIE (x.y)	Typ. Luminous Intensity I_v (mcd)/Seg.	Forward Current I_F (mA)
B-1822UB	BK010UB196G	Blue	465	32	10
B-1822G	BK010G199G	Yellow Green	570	12	10
B-1822Y	BK010Y198G	Yellow	587	10	10
B-1822E	BK010E200G	Super Red	628	11	10
B-1822SR	BK010SR197G	Hyper Red	640	25	10



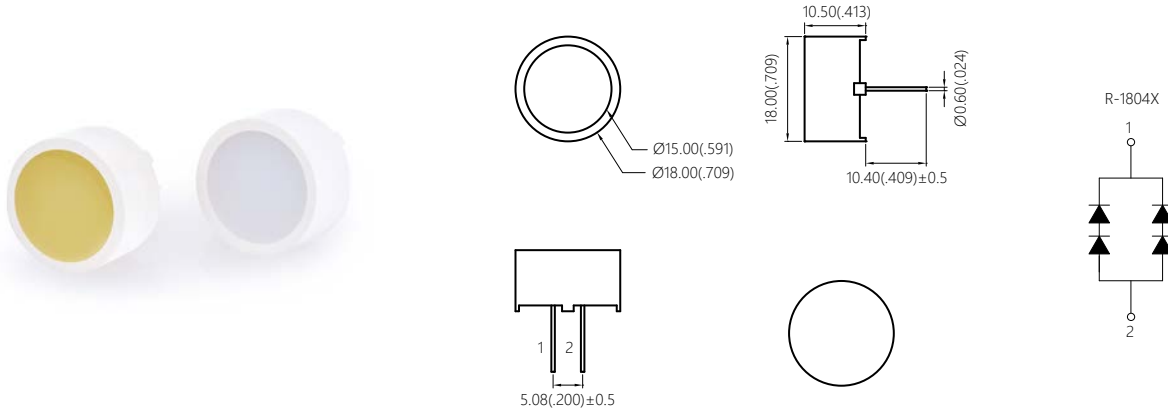
Unit : mm

Part No	Ref. PN	Emitting Color	Wavelength λ_d (nm)/CIE (x.y)	Typ. Luminous Intensity I_v (mcd)/Seg.	Forward Current I_f (mA)
B-2233G-5V	BK010G194G	Yellow Green	570	14.	10
B-2233Y-5V	BK010Y193G	Yellow	587	12	10
B-2233E-5V	BK010E195G	Super Red	628	13	10
B-2233SR-5V	BK010SR192G	Hyper Red	640	32	10



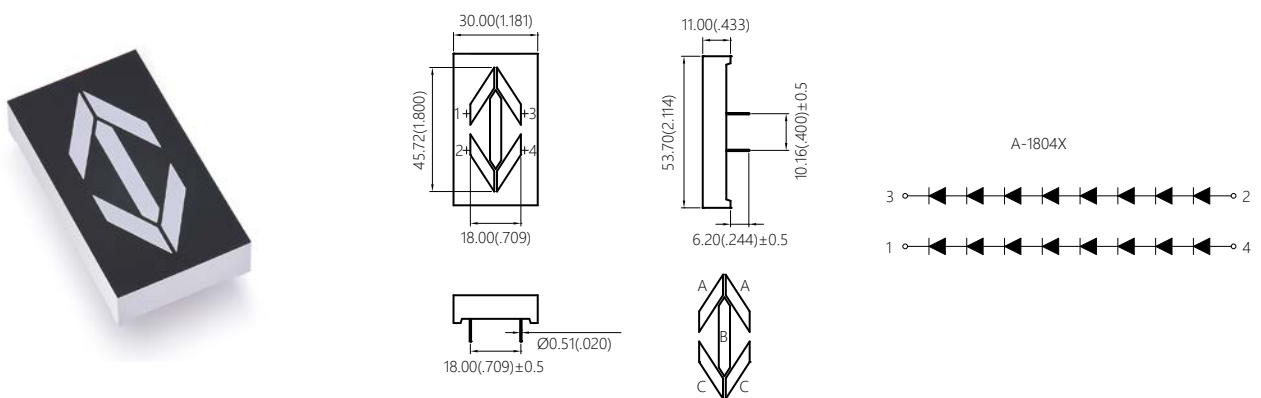
Unit : mm

Part No	Ref. PN	Emitting Color	Wavelength λ_d (nm)/CIE (x.y)	Typ. Luminous Intensity I_v (mcd)/Seg.	Forward Current I_f (mA)
B-4025G-5V	BK010G186G	Yellow Green	570	30	10
B-4025Y-5V	BK010Y185G	Yellow	587	26	10
B-4025E-5V	BK010E187G	Super Red	628	28	10
B-4025SR-5V	BK010SR184G	Hyper Red	640	60	10



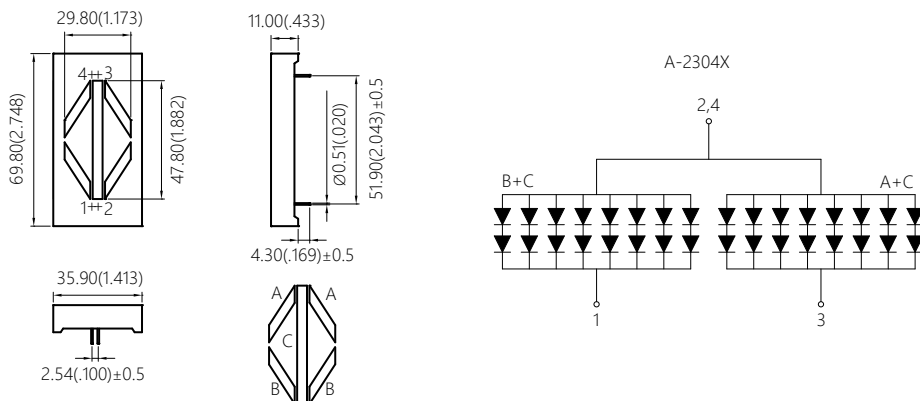
Unit : mm

Part No	Ref. PN	Emitting Color	Wavelength λ_d (nm)/CIE (x.y)	Typ. Luminous Intensity I_v (mcd)/Seg.	Forward Current I_F (mA)
R-1804G	BK010G182G	Yellow Green	570	30	10
R-1804Y	BK010Y181G	Yellow	587	26	10
R-1804E	BK010E183G	Super Red	628	28	10
R-1804SR	BK010SR180G	Hyper Red	640	60	10



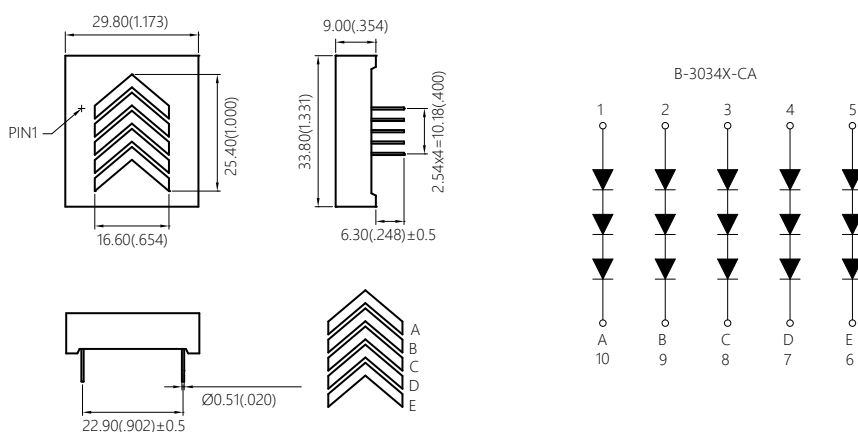
Unit : mm

Part No	Ref. PN	Emitting Color	Wavelength λ_d (nm)/CIE (x.y)	Typ. Luminous Intensity I_v (mcd)/Seg.	Forward Current I_F (mA)
A-1804G	BK010G174G	Yellow Green	570	15	10
A-1804Y	BK010Y173G	Yellow	587	13	10
A-1804E	BK010E175G	Super Red	628	14	10
A-1804SR	BK010SR172G	Hyper Red	640	28	10



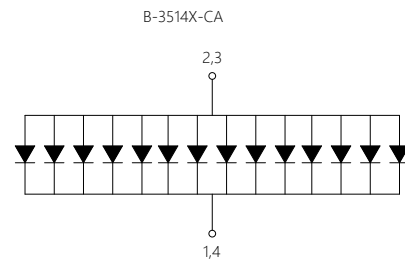
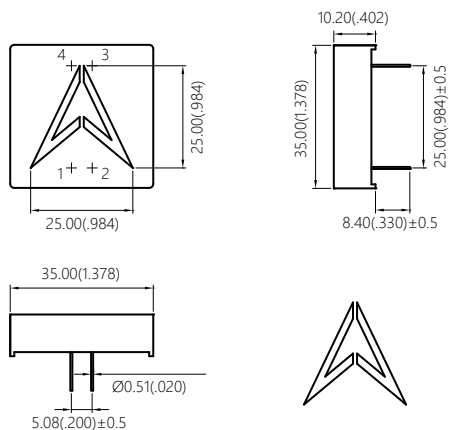
Unit : mm

Part No	Ref. PN	Emitting Color	Wavelength λ_d (nm)/CIE (x.y)	Typ. Luminous Intensity I_v (mcd)/Seg.	Forward Current I_F (mA)
A-2304G	BK020G170G	Yellow Green	570	20	10
A-2304Y	BK020Y169G	Yellow	587	18	10
A-2304E	BK020E171G	Super Red	628	19	10
A-2304SR	BK020SR168G	Hyper Red	640	40	10



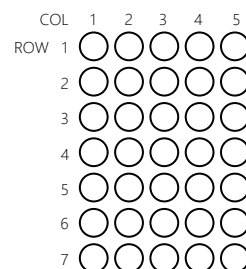
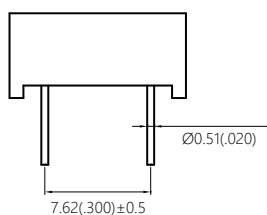
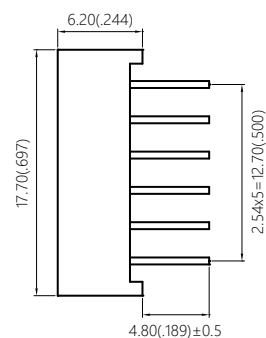
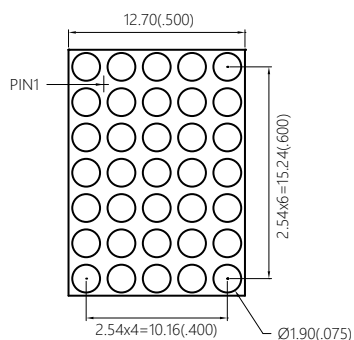
Unit : mm

Part No	Ref. PN	Emitting Color	Wavelength λ_d (nm)/CIE (x.y)	Typ. Luminous Intensity I_v (mcd)/Seg.	Forward Current I_F (mA)
B-3034G-CA	BK010G166G	Yellow Green	570	12	10
B-3034Y-CA	BK010Y165G	Yellow	587	10	10
B-3034E-CA	BK010E167G	Super Red	628	11	10
B-3034SR-CA	BK010SR164G	Hyper Red	640	30	10

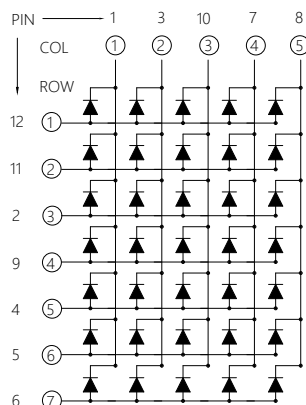


Unit : mm

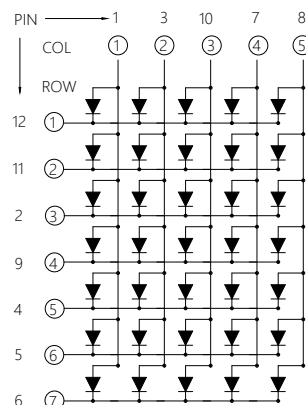
Part No	Ref. PN	Emitting Color	Wavelength λ_d (nm)/CIE (x.y)	Typ. Luminous Intensity I_v (mcd)/Seg.	Forward Current I_F (mA)
B-3514G-CA	BK010G162G	Yellow Green	570	15	10
B-3514Y-CA	BK010Y161G	Yellow	587	13	10
B-3514E-CA	BK010E163G	Super Red	628	14	10
B-3514SR-CA	BK010SR160G	Hyper Red	640	35	10



C-2570X

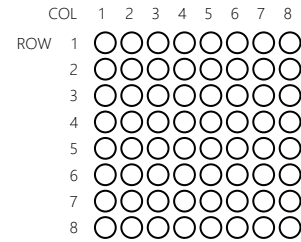
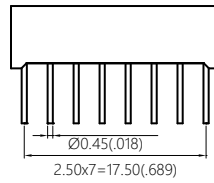
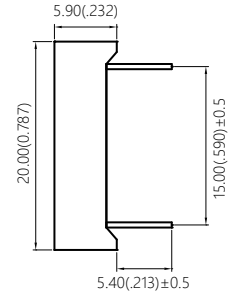
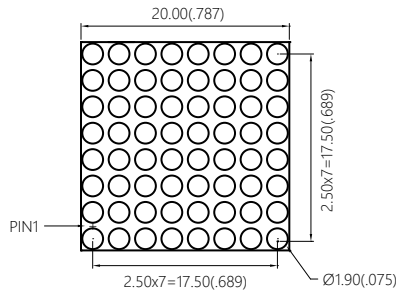
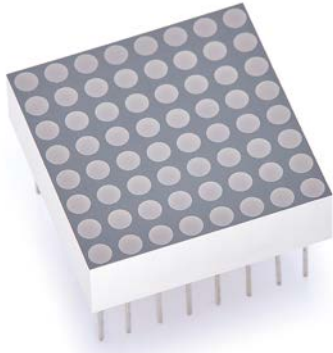


A-2570X

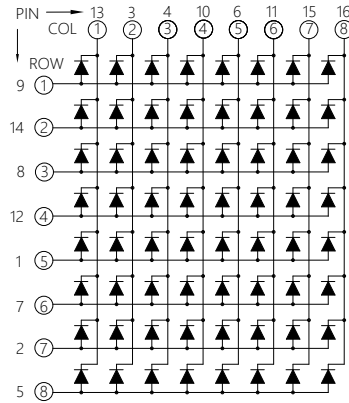


Unit : mm

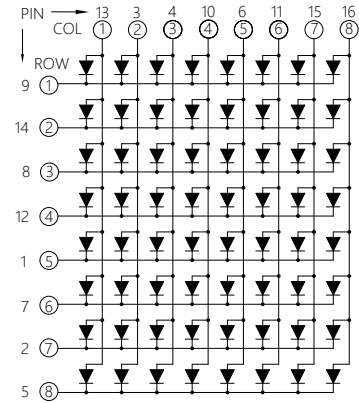
Common Cathode		Common Anode		Emitting Color	Wavelength λ_d (nm)/CIE (x,y)	Typ. Luminous Intensity I_v (mcd)/Seg.	Forward Current I_F (mA)
Part No	Ref. PN	Part No	Ref. PN				
C-2570UB	MKC20UB146G	A-2570UB	MKA20UB141G	Blue	465	8	10
C-2570G	MKC20G149G	A-2570G	MKA20G144G	Yellow Green	570	2.8	10
C-2570Y	MKC20Y148G	A-2570Y	MKA20Y143G	Yellow	587	2.4	10
C-2570E	MKC20E150G	A-2570E	MKA20E145G	Super Red	628	2.6	10
C-2570SR	MKC20SR147G	A-2570SR	MKA20SR142G	Hyper Red	640	7	10



C-2880X

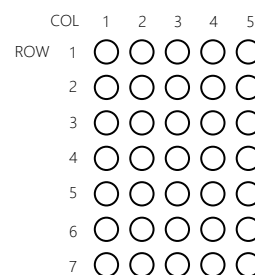
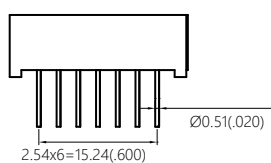
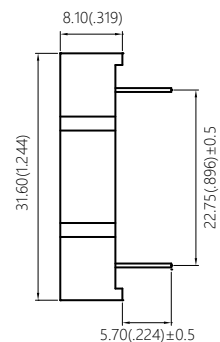
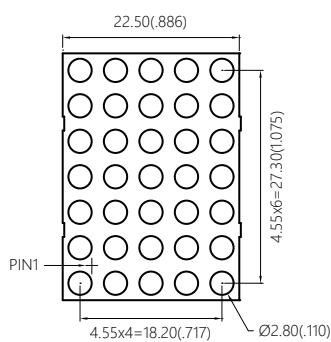


A-2880X

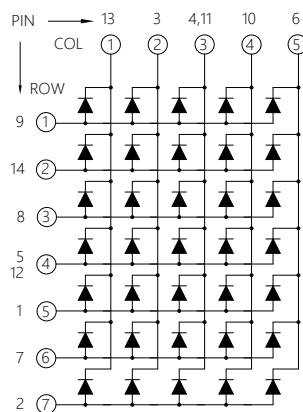


Unit : mm

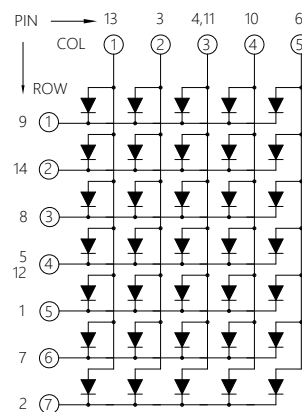
Common Cathode		Common Anode		Emitting Color	Wavelength λ_d (nm)/CIE (x,y)	Typ. Luminous Intensity I_v (mcd)/Seg.	Forward Current I_F (mA)
Part No	Ref. PN	Part No	Ref. PN				
C-2880UB	MKC20UB136G	A-2880UB	MKA20UB131G	Blue	465	8	10
C-2880G	MKC20G139G	A-2880G	MKA20G134G	Yellow Green	570	2.8	10
C-2880Y	MKC20Y138G	A-2880Y	MKA20Y133G	Yellow	587	2.4	10
C-2880E	MKC20E140G	A-2880E	MKA20E135G	Super Red	628	2.6	10
C-2880SR	MKC20SR137G	A-2880SR	MKA20SR132G	Hyper Red	640	7	10



C-3571X

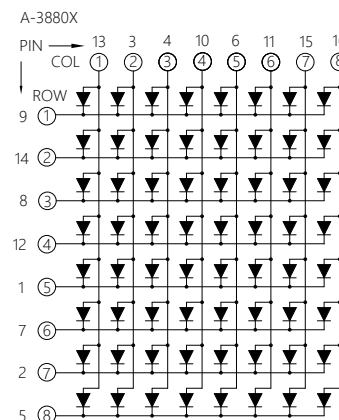
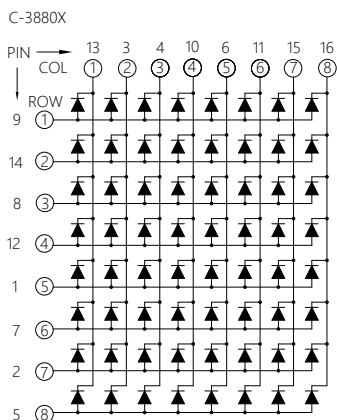
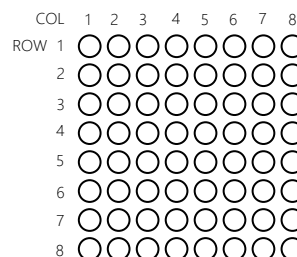
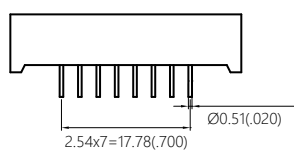
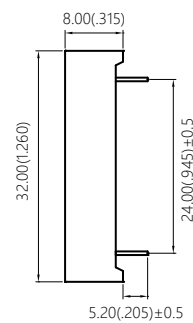
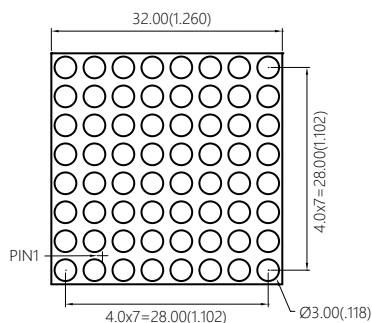


A-3571X



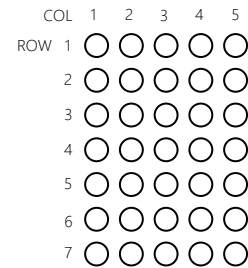
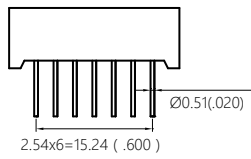
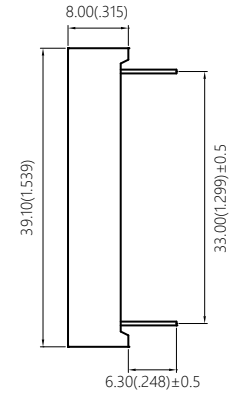
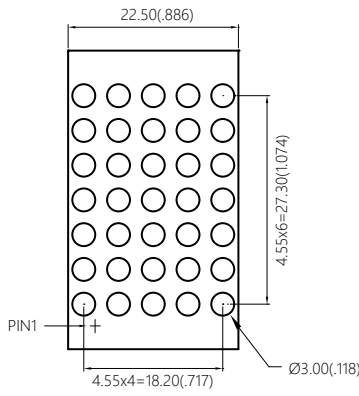
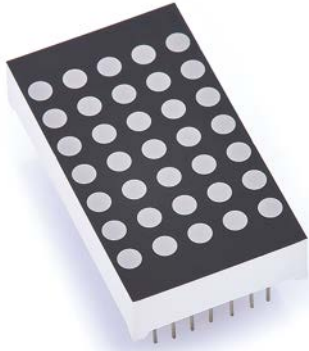
Unit : mm

Common Cathode		Common Anode		Emitting Color	Wavelength λ_d (nm)/CIE (x,y)	Typ. Luminous Intensity I_v (mcd)/Seg.	Forward Current I_F (mA)
Part No	Ref. PN	Part No	Ref. PN				
C-3571UB	MKC30UB116G	A-3571UB	MKA30UB111G	Blue	465	10	10
C-3571G	MKC30G119G	A-3571G	MKA30G114G	Yellow Green	570	2.9	10
C-3571Y	MKC30Y118G	A-3571Y	MKA30Y113G	Yellow	587	2.7	10
C-3571E	MKC30E120G	A-3571E	MKA30E115G	Super Red	628	2.8	10
C-3571SR	MKC30SR117G	A-3571SR	MKA30SR112G	Hyper Red	640	8	10

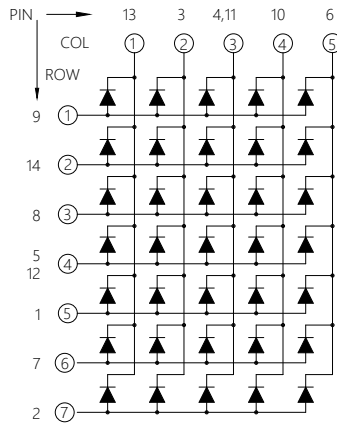


Unit : mm

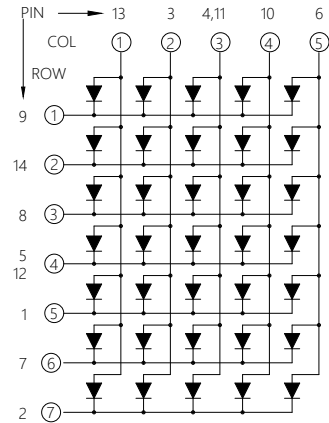
Common Cathode		Common Anode		Emitting Color	Wavelength λ_d (nm)/CIE (x.y)	Typ. Luminous Intensity I_v (mcd)/Seg.	Forward Current I_F (mA)
Part No	Ref. PN	Part No	Ref. PN				
C-3880UB	MKC30UB098G	A-3880UB	MKA30UB093G	Blue	465	12	10
C-3880G	MKC30G101G	A-3880G	MKA30G096G	Yellow Green	570	2.9	10
C-3880Y	MKC30Y100G	A-3880Y	MKA30Y095G	Yellow	587	2.7	10
C-3880E	MKC30E102G	A-3880E	MKA30E097G	Super Red	628	2.8	10
C-3880SR	MKC30SR099G	A-3880SR	MKA30SR094G	Hyper Red	640	8	10



C-3570X

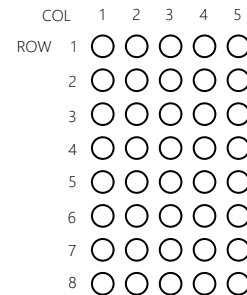
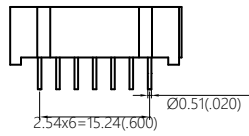
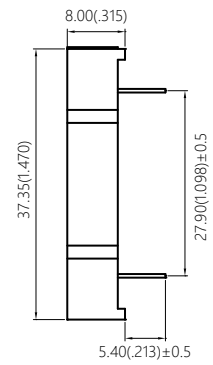
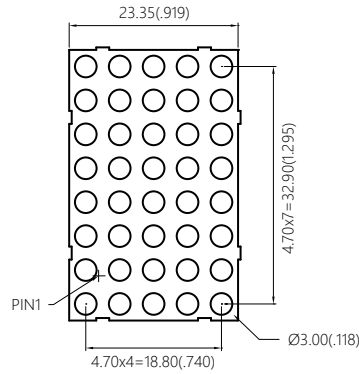


A-3570X

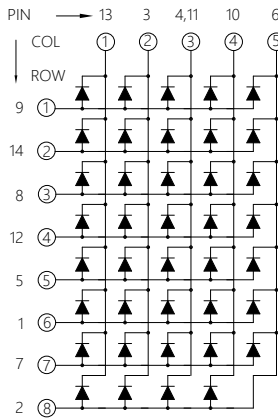


Unit : mm

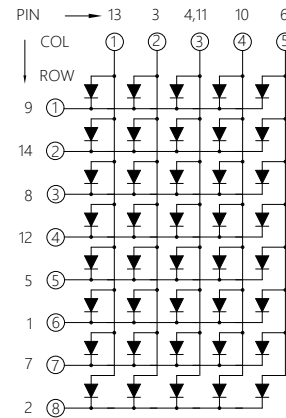
Common Cathode		Common Anode		Emitting Color	Wavelength λ_d (nm)/CIE (x,y)	Typ. Luminous Intensity I_v (mcd)/Seg.	Forward Current I_F (mA)
Part No	Ref. PN	Part No	Ref. PN				
C-3570UB	MKC30UB126G	A-3570UB	MKA30UB121G	Blue	465	10	10
C-3570G	MKC30G129G	A-3570G	MKA30G124G	Yellow Green	570	2.9	10
C-3570Y	MKC30Y128G	A-3570Y	MKA30Y123G	Yellow	587	2.7	10
C-3570E	MKC30E130G	A-3570E	MKA30E125G	Super Red	628	2.8	10
C-3570SR	MKC30SR127G	A-3570SR	MKA30SR122G	Hyper Red	640	8	10



C-3580X

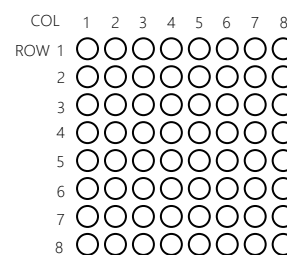
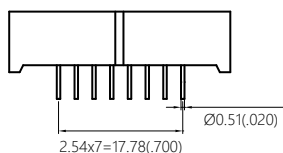
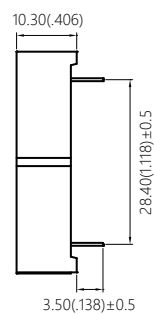
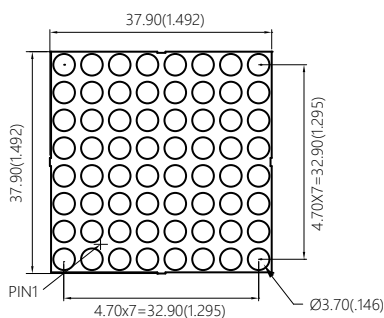


A-3580X

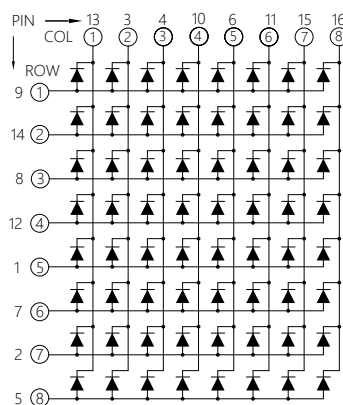


Unit : mm

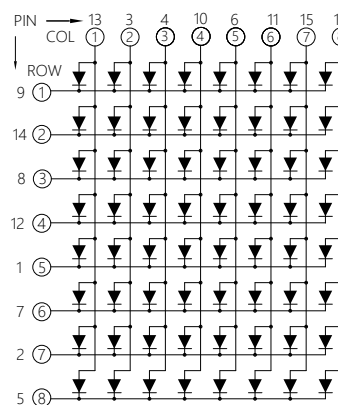
Common Cathode		Common Anode		Emitting Color	Wavelength λ _d (nm)/CIE (x,y)	Typ. Luminous Intensity I _v (mcd)/Seg.	Forward Current I _F (mA)
Part No	Ref. PN	Part No	Ref. PN				
C-3580G	MKC30G109G	A-3580G	MKA30G105G	Yellow Green	570	2.9	10
C-3580Y	MKC30Y0108G	A-3580Y	MKA30Y104G	Yellow	587	2.7	10
C-3580E	MKC30E110G	A-3580E	MKA30E106G	Super Red	628	2.8	10
C-3580SR	MKC30SR107G	A-3580SR	MKA30SR103G	Hyper Red	640	8	10



C-4880X

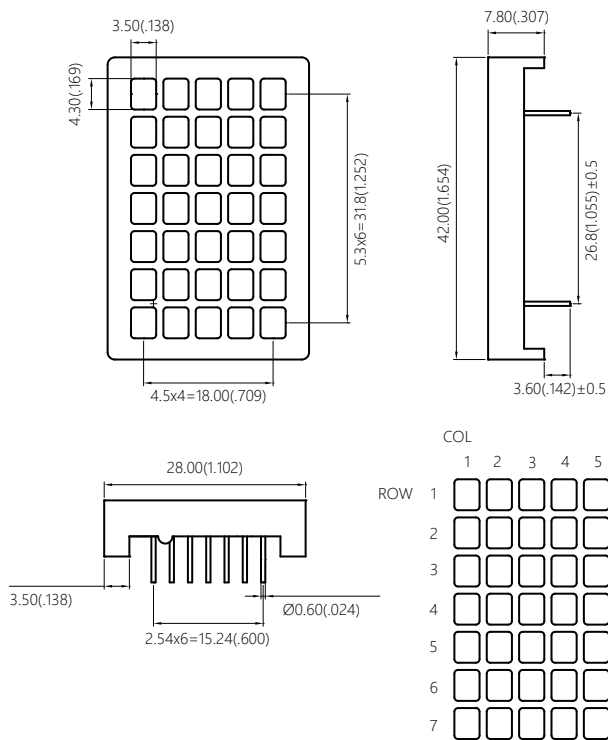


A-4880X



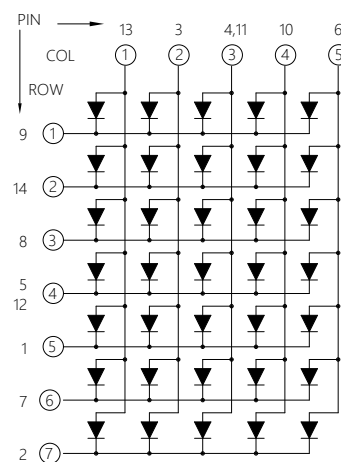
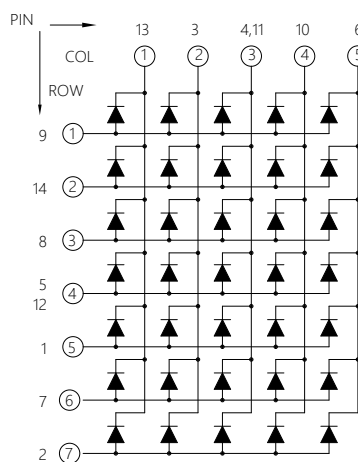
Unit : mm

Common Cathode		Common Anode		Emitting Color	Wavelength λ_d (nm)/CIE (x,y)	Typ. Luminous Intensity I_v (mcd)/Seg.	Forward Current I_F (mA)
Part No	Ref. PN	Part No	Ref. PN				
C-4880G	MKC40G091G	A-4880G	MKA40G087G	Yellow Green	570	3.6	10
C-4880Y	MKC40Y090G	A-4880Y	MKA40Y086G	Yellow	587	3.4	10
C-4880E	MKC40E092G	A-4880E	MKA40E088G	Super Red	628	3.5	10
C-4880SR	MKC40SR089G	A-4880SR	MKA40SR085G	Hyper Red	640	10	10



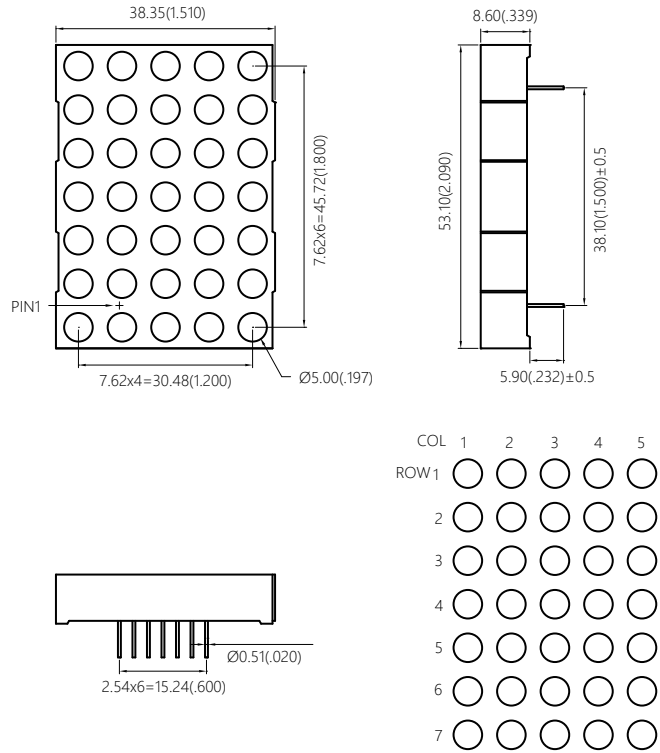
C-3573X

A-3573X

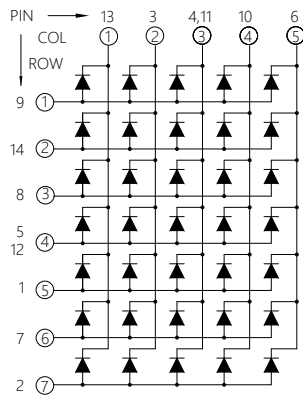


Unit : mm

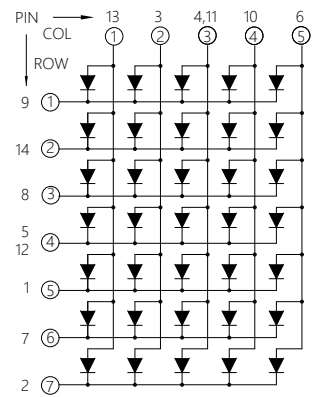
Common Cathode		Common Anode		Emitting Color	Wavelength λ_d (nm)/CIE (x.y)	Typ. Luminous Intensity I_v (mcd)/Seg.	Forward Current I_F (mA)
Part No	Ref. PN	Part No	Ref. PN				
C-3573G	MKC3BG055G	A-3573G	MKA3BG051G	Yellow Green	570	3.6	10
C-3573Y	MKC3BY054G	A-3573Y	MKA3BY050G	Yellow	587	3.4	10
C-3573E	MKC3BE056G	A-3573E	MKA3BE052G	Super Red	628	3.5	10
C-3573SR	MKC3BSR053G	A-3573SR	MKA3BSR049G	Hyper Red	640	10	10



C-5570X

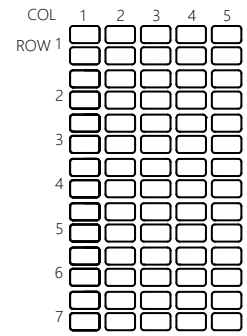
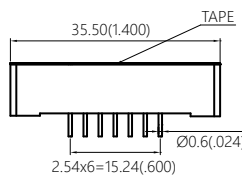
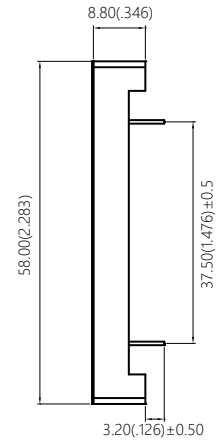
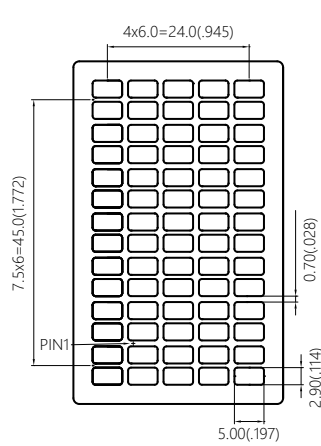


A-5570X



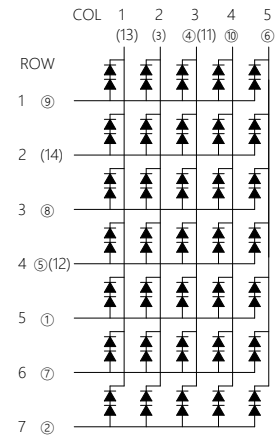
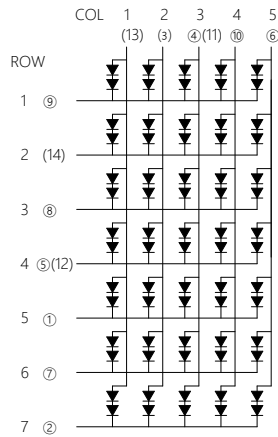
Unit : mm

Common Cathode		Common Anode		Emitting Color	Wavelength λ_d (nm)/CIE (x,y)	Typ. Luminous Intensity I_v (mcd)/Seg.	Forward Current I_F (mA)
Part No	Ref. PN	Part No	Ref. PN				
C-5570UB	MKC50UB080G	A-5570UB	MKA50UB075G	Blue	465	15	10
C-5570G	MKC50G083G	A-5570G	MKA50G078G	Yellow Green	570	3.8	10
C-5570Y	MKC50Y082G	A-5570Y	MKA50Y077G	Yellow	587	3.6	10
C-5570E	MKC50E084G	A-5570E	MKA50E079G	Super Red	628	3.7	10
C-5570SR	MKC50SR081G	A-5570SR	MKA50SR076G	Hyper Red	640	12	10







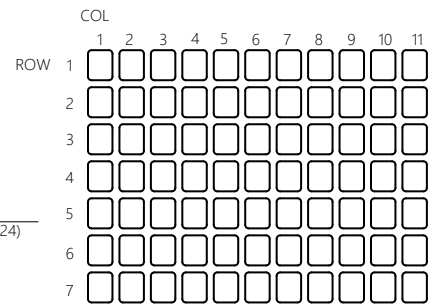
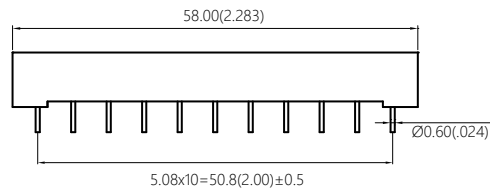
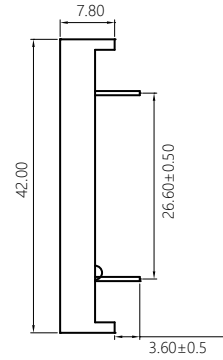
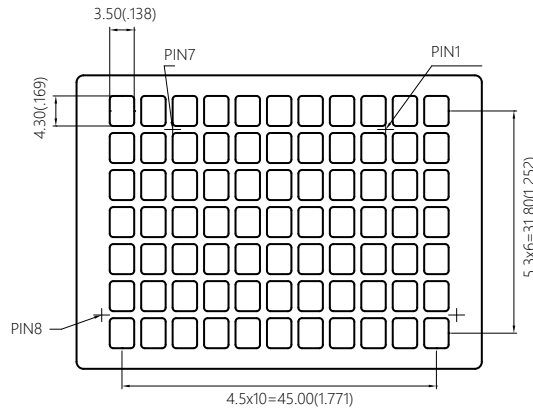
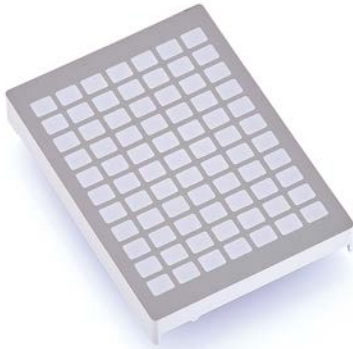
C-3514X

A-3514X

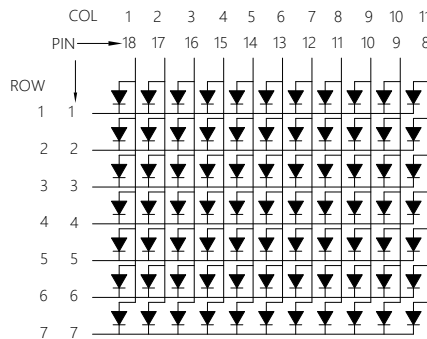


Unit : mm

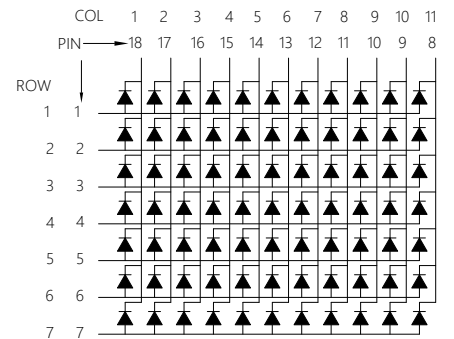
Common Cathode		Common Anode		Emitting Color	Wavelength λ _d (nm)/CIE (x.y)	Typ. Luminous Intensity I _v (mcd)/Seg.	Forward Current I _F (mA)
Part No	Ref. PN	Part No	Ref. PN				
C-3574G	MKC3BG047G	A-3574G	MKA3BG043G	 Yellow Green	570	4	10
C-3574Y	MKC3BY046G	A-3574Y	MKA3BY042G	 Yellow	587	3.6	10
C-3574E	MKC3BE048G	A-3574E	MKA3BE044G	 Super Red	628	3.8	10
C-3574SR	MKC3BSR045G	A-3574SR	MKA3BSR041G	 Hyper Red	640	12	10







A-3711X

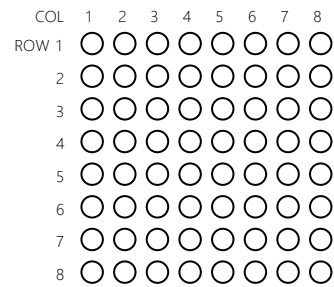
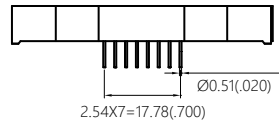
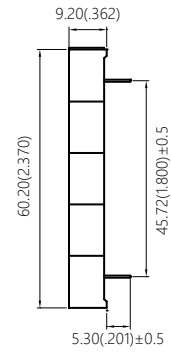
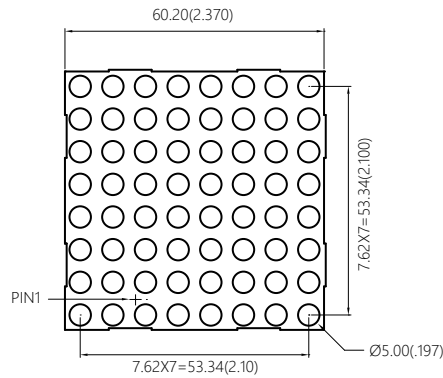


C-3711X

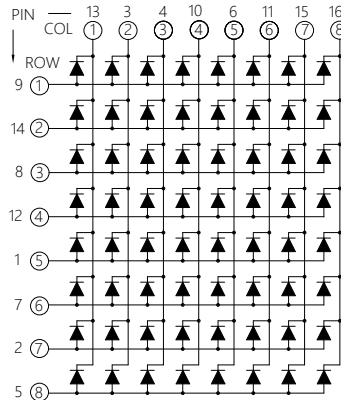


Unit : mm

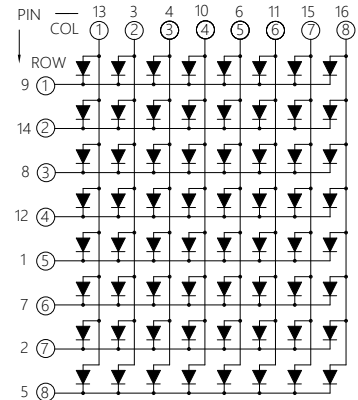
Common Cathode		Common Anode		Emitting Color	Wavelength λ_d (nm)/CIE (x,y)	Typ. Luminous Intensity I_v (mcd)/Seg.	Forward Current I_F (mA)
Part No	Ref. PN	Part No	Ref. PN				
C-3711G	MKC3BG039G	A-3711G	MKA3BG035G	 Yellow Green	570	3.6	10
C-3711Y	MKC3BY038G	A-3711Y	MKA3BY034G	 Yellow	587	3.4	10
C-3711E	MKC3BE040G	A-3711E	MKA3BE036G	 Super Red	628	3.5	10
C-3711SR	MKC3BSR037G	A-3711SR	MKA3BSR033G	 Hyper Red	640	10	10



C-5880X

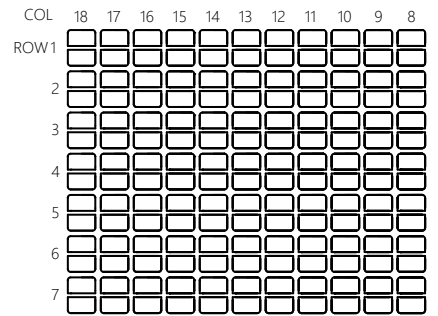
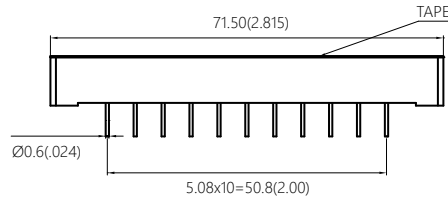
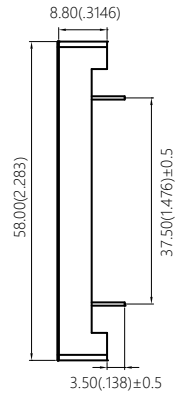
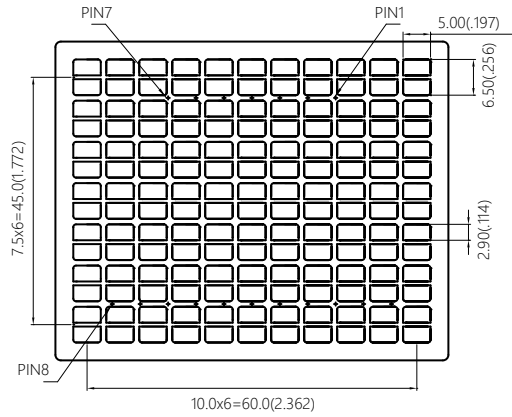


A-5880X



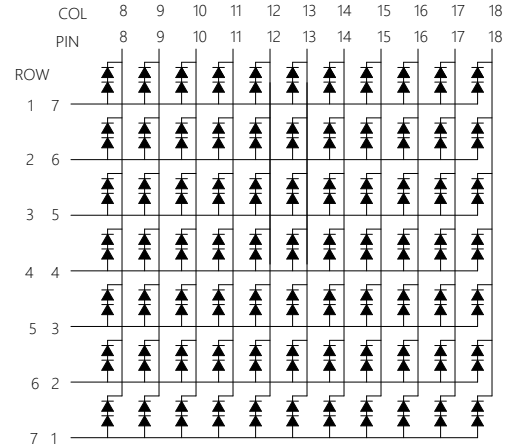
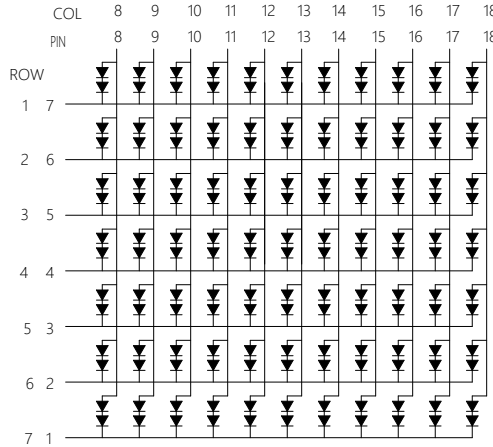
Unit : mm

Common Cathode		Common Anode		Emitting Color	Wavelength λ_d (nm)/CIE (x,y)	Typ. Luminous Intensity I_v (mcd)/Seg.	Forward Current I_F (mA)
Part No	Ref. PN	Part No	Ref. PN				
C-5880G	MKC50G073G	A-5880G	MKA50G069G	Yellow Green	570	3.8	10
C-5880Y	MKC50Y072G	A-5880Y	MKA50Y068G	Yellow	587	3.6	10
C-5880E	MKC50E074G	A-5880E	MKA50E070G	Super Red	628	3.7	10
C-5880SR	MKC50SR071G	A-5880SR	MKA50SR067G	Hyper Red	640	12	10



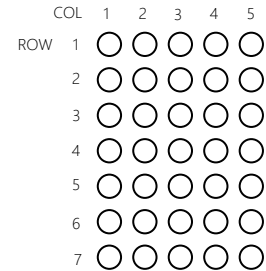
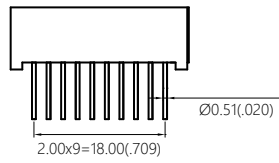
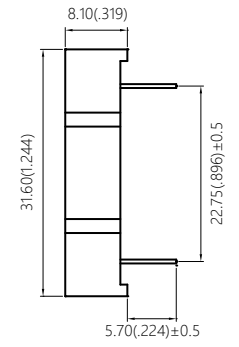
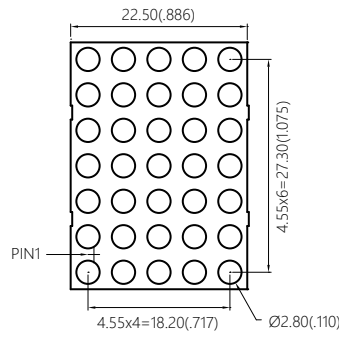
C-5711X

A-5711X

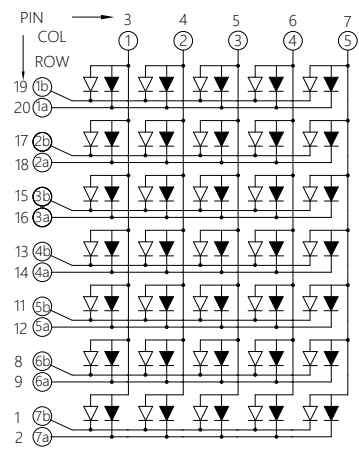


Unit : mm

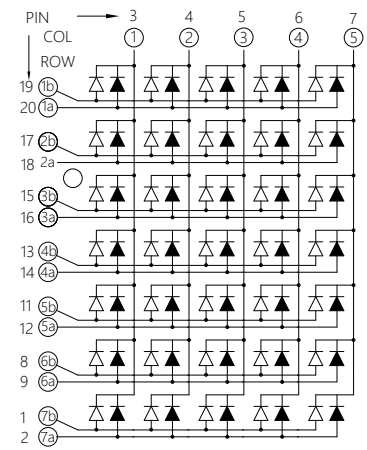
Common Cathode		Common Anode		Emitting Color	Wavelength λ _d (nm)/CIE (x.y)	Typ. Luminous Intensity I _v (mcd)/Seg.	Forward Current I _F (mA)
Part No	Ref. PN	Part No	Ref. PN				
C-5711G	MKC5BG031G	A-5711G	MKA5BG027G	Yellow Green	570	4	10
C-5711Y	MKC5BY030G	A-5711Y	MKA5BY026G	Yellow	587	3.6	10
C-5711E	MKC5BE032G	A-5711E	MKA5BE028G	Super Red	628	3.8	10
C-5711SR	MKC5BSR029G	A-5711SR	MKA5BSR025G	Hyper Red	640	12	10



C-3571EG



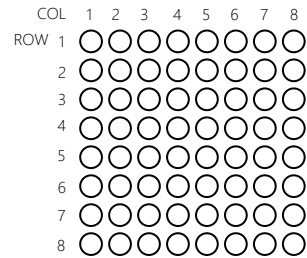
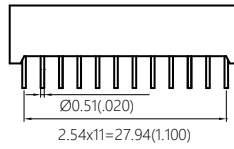
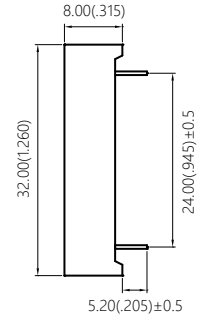
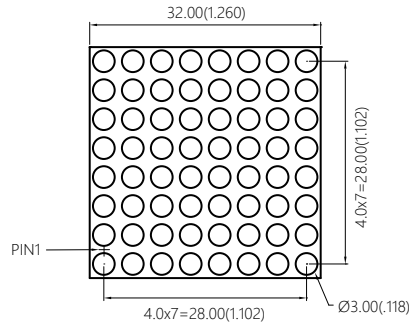
A-3571EG



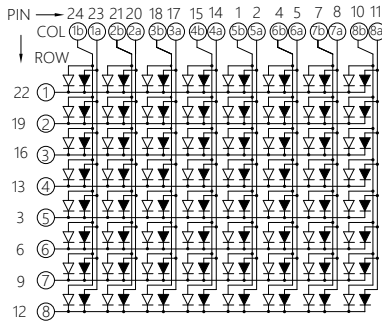
a for Hi.effi Red color chip
 b for Yellow Green color chip

Unit : mm

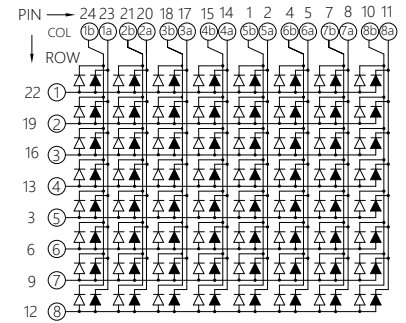
Common Cathode		Common Anode		Emitting Color	Wavelength λ _d (nm)/CIE (x.y)	Typ. Luminous Intensity I _v (mcd)/Seg.	Forward Current I _F (mA)
Part No	Ref. PN	Part No	Ref. PN				
C-3571EG	MKC30EG066G	A-3571EG	MKA30EG065G	Super Red	628	2.8	10
				Yellow Green	570	2.9	10



C-3880EG



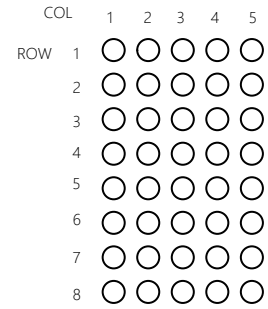
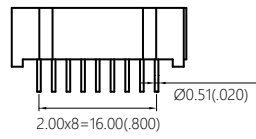
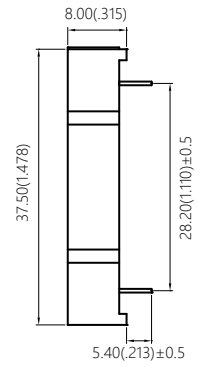
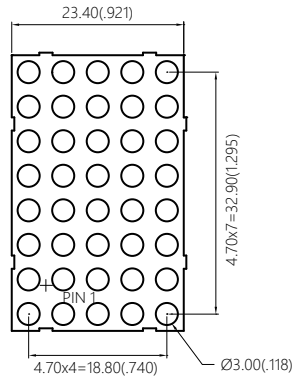
A-3880EG



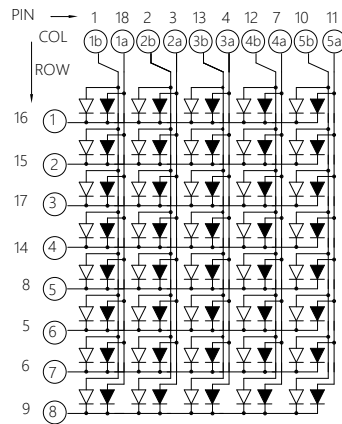
a for Hi.effi Red color chip
 b for Yellow Green color chip

Unit : mm

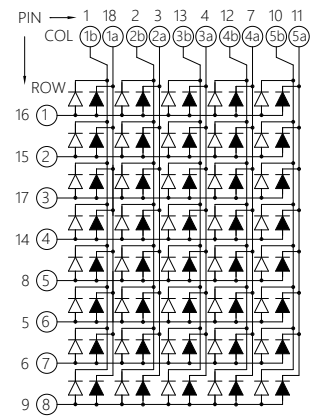
Common Cathode		Common Anode		Emitting Color	Wavelength λ_d (nm)/CIE (x.y)	Typ. Luminous Intensity I_v (mcd)/Seg.	Forward Current I_F (mA)
Part No	Ref. PN	Part No	Ref. PN				
C-3880EG	MKC30EG062G	A-3880EG	MKA30EG061G	Super Red	628	2.8	10
				Yellow Green	570	2.9	10



C-3580EG



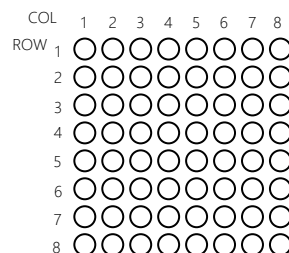
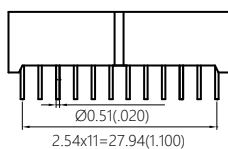
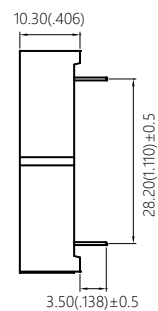
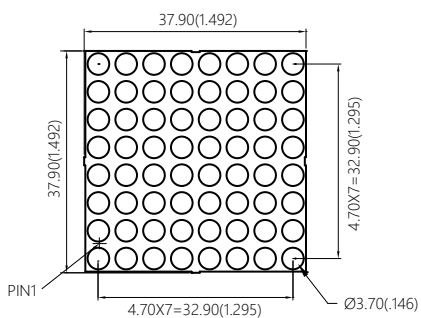
A-3580EG



a for Hi.effi Red color chip
 b for Yellow Green color chip

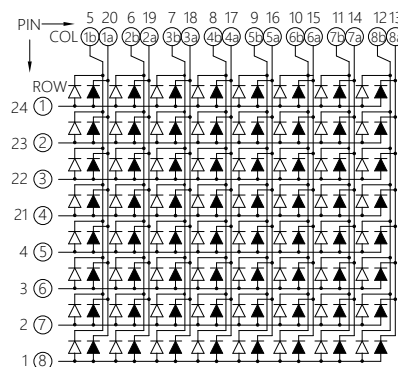
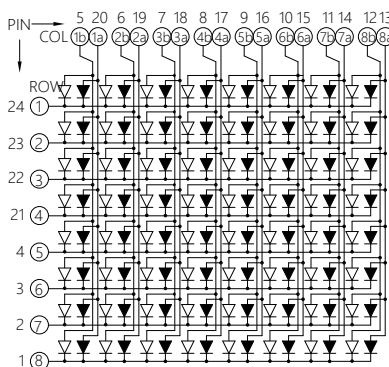
Unit : mm

Common Cathode		Common Anode		Emitting Color	Wavelength λ_d (nm)/CIE (x.y)	Typ. Luminous Intensity I_v (mcd)/Seg.	Forward Current I_F (mA)
Part No	Ref. PN	Part No	Ref. PN				
C-3580EG	MKC30EG064G	A-3580EG	MKA30EG063G	Super Red	628	2.8	10
				Yellow Green	570	2.9	10



C-4880EG

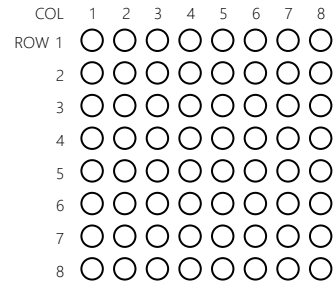
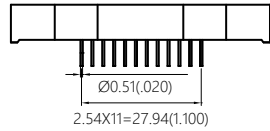
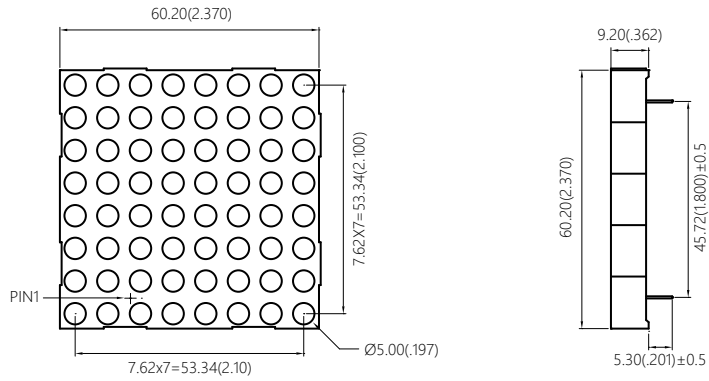
A-4880EG



a for Hi.effi Red color chip
 b for Yellow Green color chip

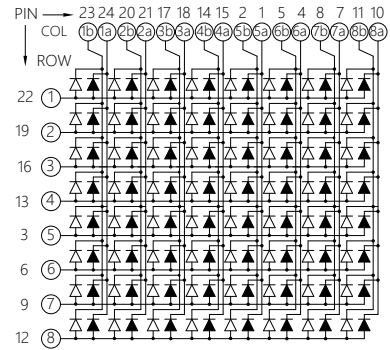
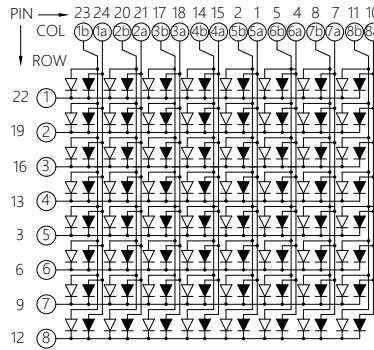
Unit : mm

Common Cathode		Common Anode		Emitting Color	Wavelength λ_d (nm)/CIE (x,y)	Typ. Luminous Intensity I_v (mcd)/Seg.	Forward Current I_F (mA)
Part No	Ref. PN	Part No	Ref. PN				
C-4880EG	MKC40EG060G	A-4880EG	MKA40EG059G	Super Red	628	3.5	10
				Yellow Green	570	3.6	10



C-5880EG

A-5880EG

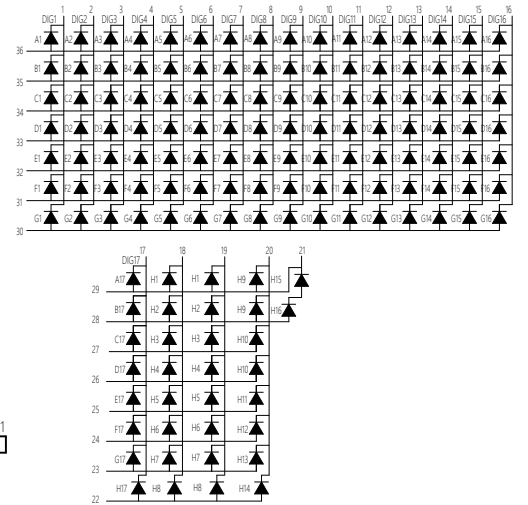
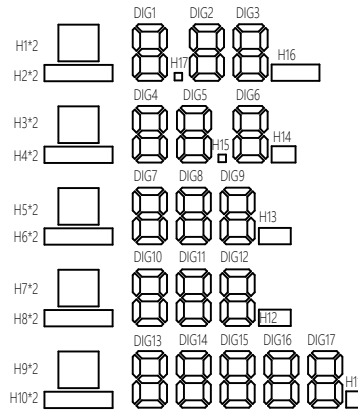
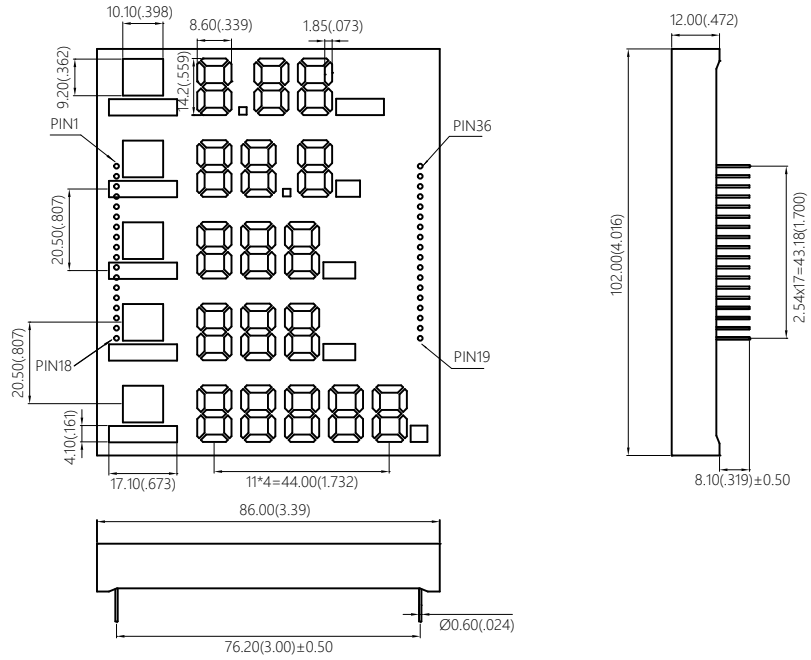


a for Hi.effi Red color chip
 b for Yellow Green color chip

Unit : mm

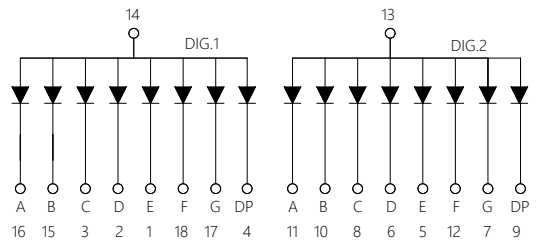
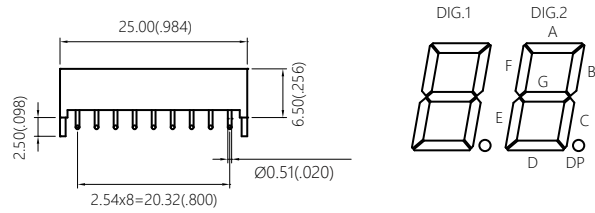
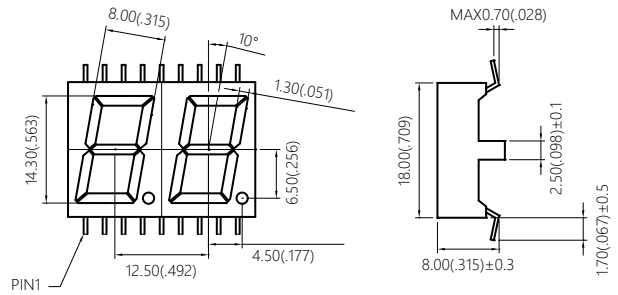
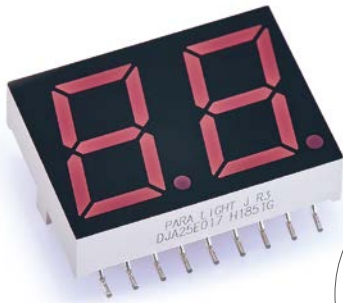
Common Cathode		Common Anode		Emitting Color	Wavelength λ_d (nm)/CIE (x.y)	Typ. Luminous Intensity I_v (mcd)/Seg.	Forward Current I_F (mA)
Part No	Ref. PN	Part No	Ref. PN				
C-5880EG	MKC50EG058G	A-5880EG	MKA50EG057G	Super Red	628	3.7	10
				Yellow Green	570	3.8	10

*Any custom-made LED Display requirement, please contact Para Light sales teams or Para Light distributors.



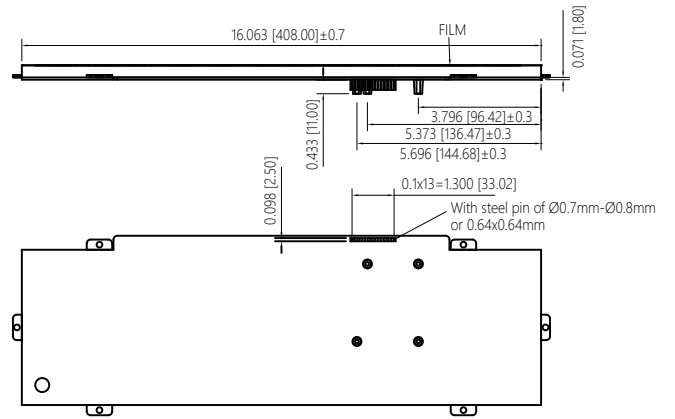
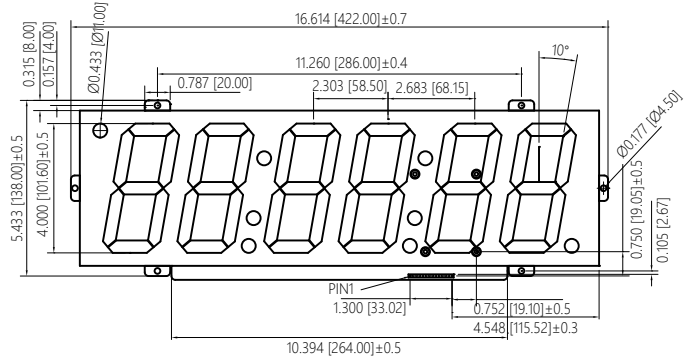
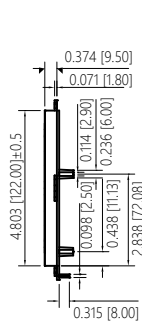
Unit : mm

*Any custom-made LED Display requirement, please contact Para Light sales teams or Para Light distributors.



Unit : mm

*Any custom-made LED Display requirement, please contact Para Light sales teams or Para Light distributors.



Unit : mm